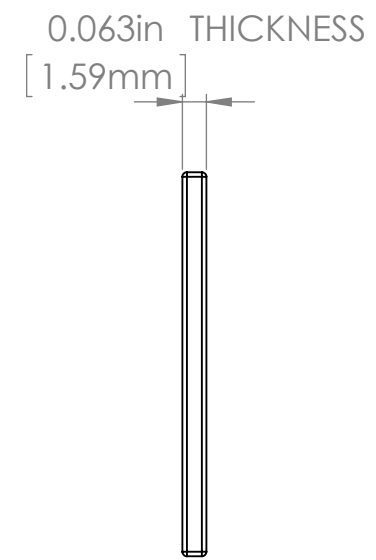
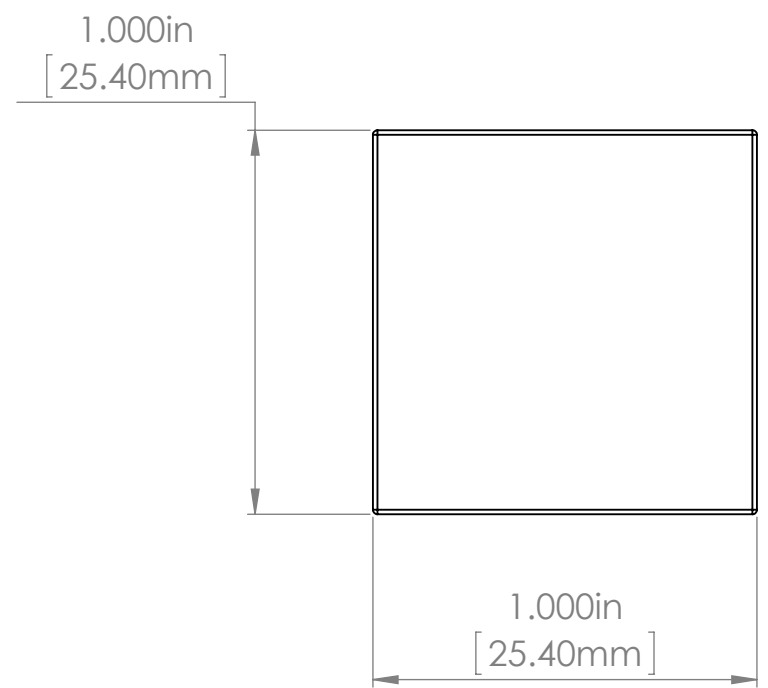
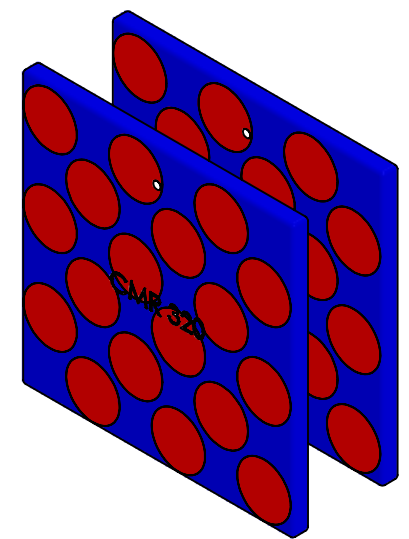


Primary magnet face is marked with a circular polarity mark.  
 Markings must be aligned and facing the same direction for proper performance.



THIRD ANGLE PROJECTION

UNLESS OTHERWISE SPECIFIED  
 DIMENSIONS ARE IN INCHES  
 ANGLES  $\pm 0.1^\circ$   
 2 PL  $\pm 0.01$  (.25mm)  
 3 PL  $\pm 0.005$  (.13mm)

**Polymagnet**  
 CORRELATED MAGNETICS

PART NO 1000320		REV
SIZE <b>B</b>	DWG. NO. 1000320-APP	
SCALE: 2:1	RELEASE DATE:	SHEET 1 OF 1