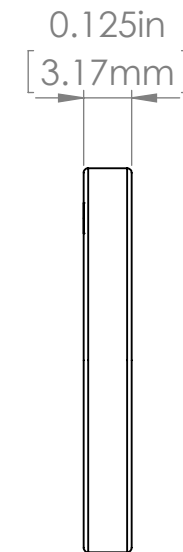
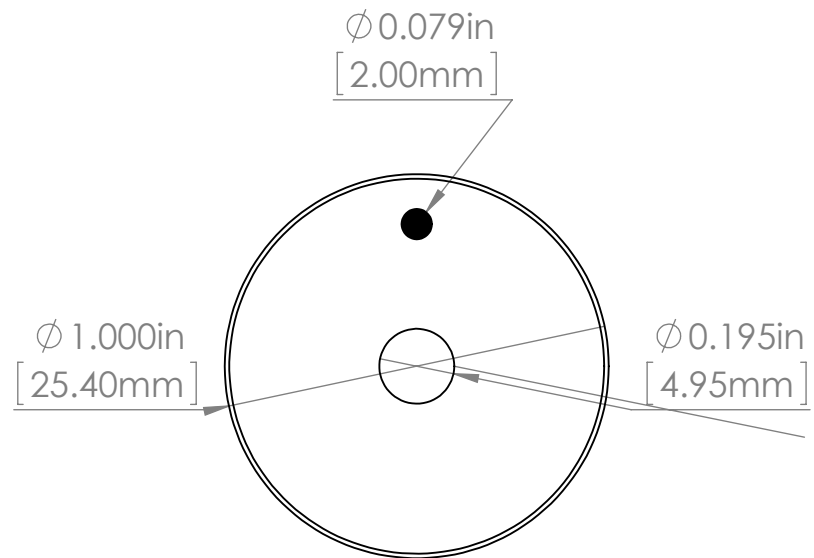
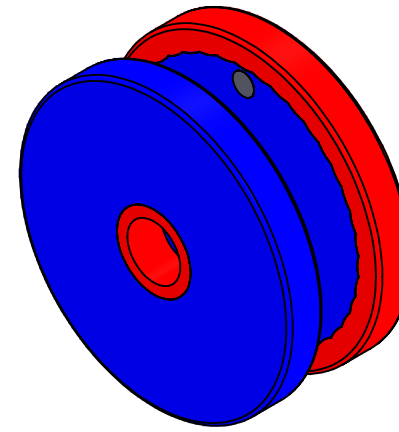


Polarity indicated for marked face of magnet



|   |               |                               |                         |
|---|---------------|-------------------------------|-------------------------|
| THIRD ANGLE PROJECTION  |               |                               |                         |
| UNLESS OTHERWISE SPECIFIED<br>DIMENSIONS ARE IN INCHES<br>ANGLES ±0.1°<br>2 PL ±0.01 (.25mm)<br>3 PL ±0.005 (.13mm) |               | CORRELATED MAGNETICS RESEARCH |                         |
| PART NO<br>1000696  |               | SIZE<br><b>B</b>              | DWG. NO.<br>1000696-APP |
| SCALE: 2:1  | RELEASE DATE: | REV                           | SHEET 1 OF 1            |