

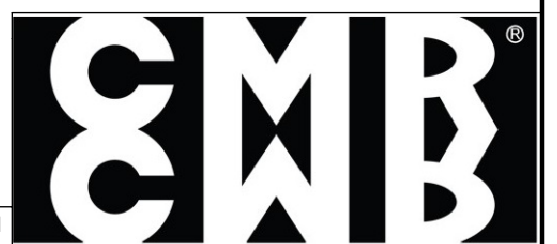
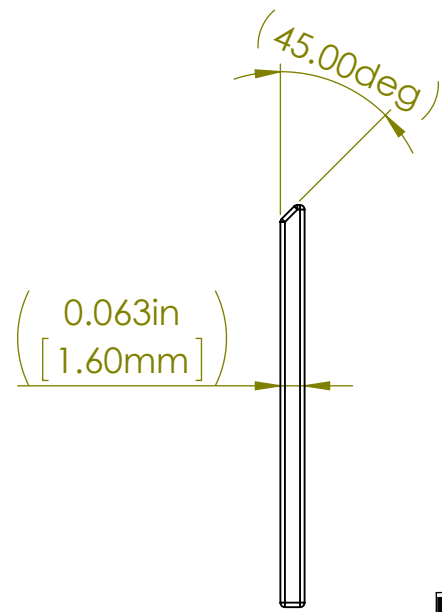
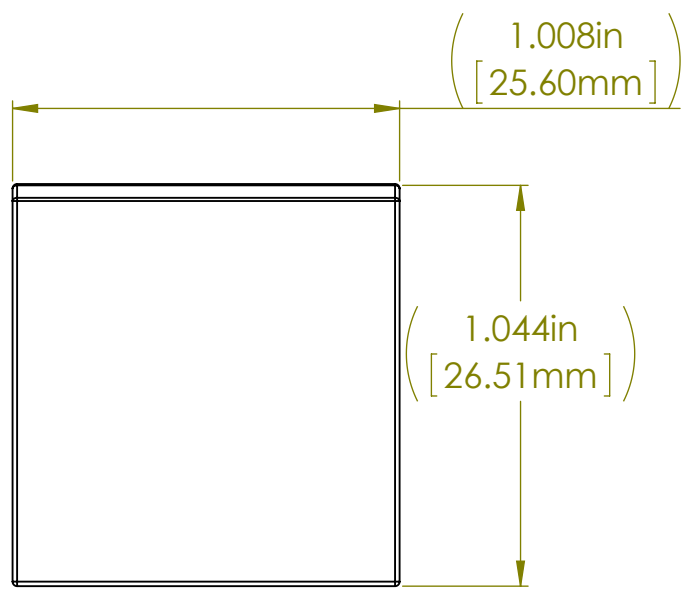
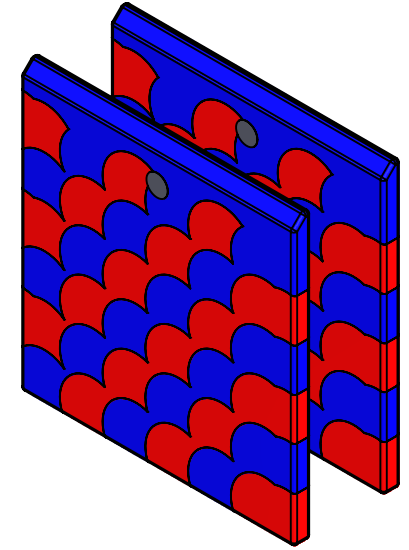
4

3

2

1

Primary magnet face is marked with a circular polarity mark.
Markings must be aligned and facing the same direction for proper performance.



THIRD ANGLE PROJECTION
UNLESS OTHERWISE SPECIFIED
DIMENSIONS ARE IN INCHES
ANGLES ±0.1°
2 PL ±0.01 (.25mm)
3 PL ±0.005 (.13mm)

CORRELATED MAGNETICS RESEARCH		
PART NO 1001140		
SIZE B	DWG. NO. 1001140-APP	REV A
SCALE: 2:1	RELEASE DATE:	SHEET 1 OF 1

4

3

2

1