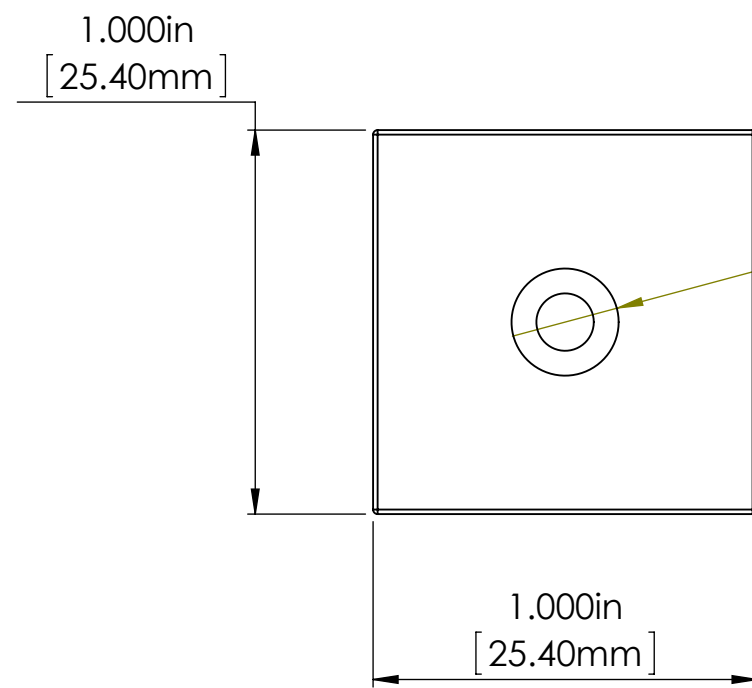
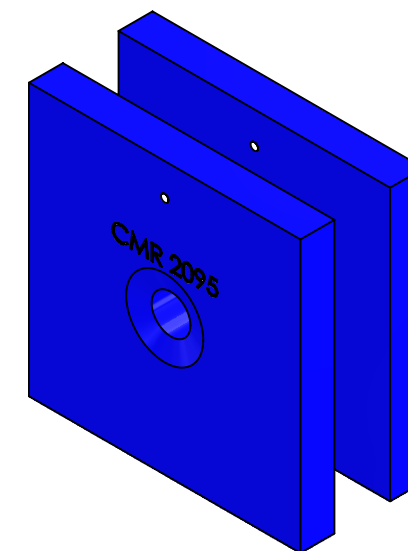
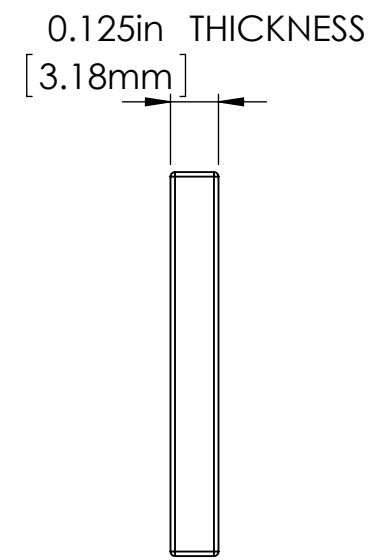


Primary magnet face is marked with a circular polarity mark.
 Markings must be aligned and facing the same direction for proper performance.



$\phi 0.143$ THRU
 $\checkmark \phi 0.284$ in [7.21mm] X 143°



THIRD ANGLE PROJECTION

UNLESS OTHERWISE SPECIFIED
 DIMENSIONS ARE IN INCHES
 ANGLES $\pm 0.1^\circ$
 2 PL ± 0.01 (.25mm)
 3 PL ± 0.005 (.13mm)

Polymagnet
 CORRELATED MAGNETICS

PART NO
 1002095

SIZE B	DWG. NO. 1002095-APP	REV 0
SCALE: 2:1		RELEASE DATE:

SHEET 1 OF 1