

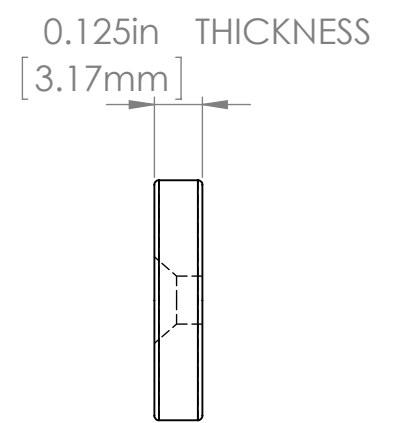
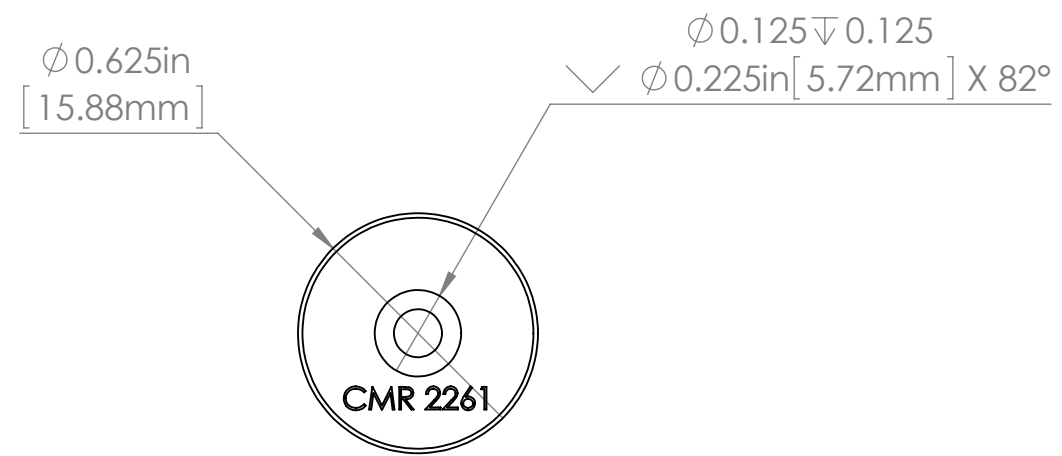
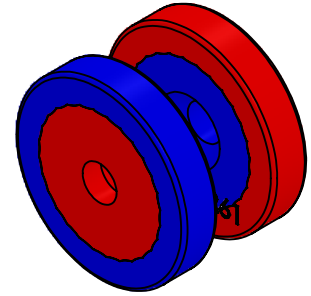
4

3

2

1

Primary magnet face is marked with label.
Markings must be aligned, labeled surfaces facing to each other for proper performance.



THIRD ANGLE PROJECTION

UNLESS OTHERWISE SPECIFIED
DIMENSIONS ARE IN INCHES
ANGLES ±0.1°
2 PL ±0.01 (.25mm)
3 PL ±0.005 (.13mm)

Polymagnet
CORRELATED MAGNETICS

PART NO 1002261		REV
SIZE B	DWG. NO. 1002261-APP	
SCALE: 2:1	RELEASE DATE:	SHEET 1 OF 1

4

3

2

1

B

B

A

A