

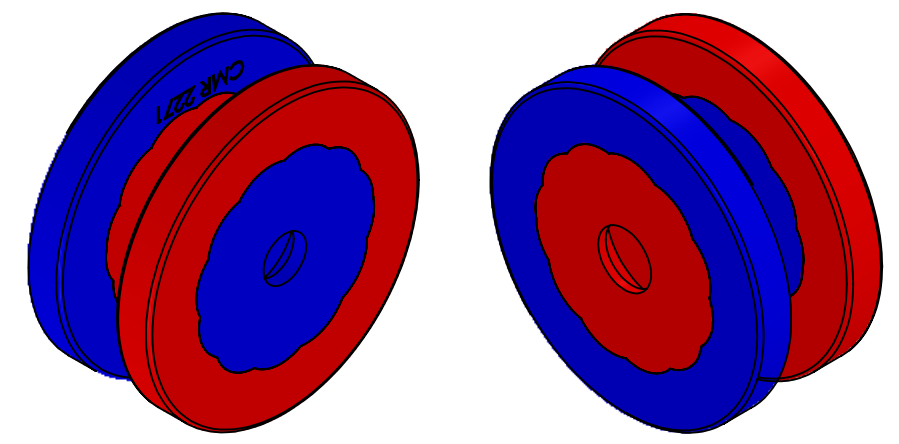
4

3

2

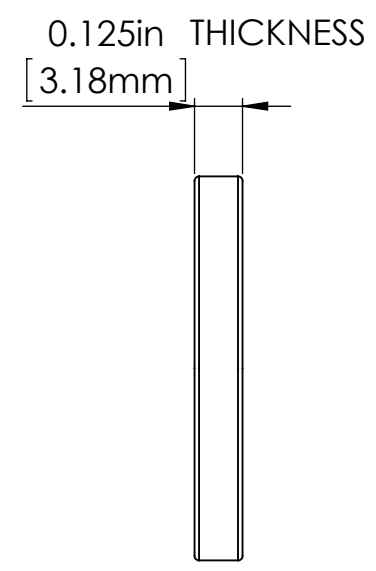
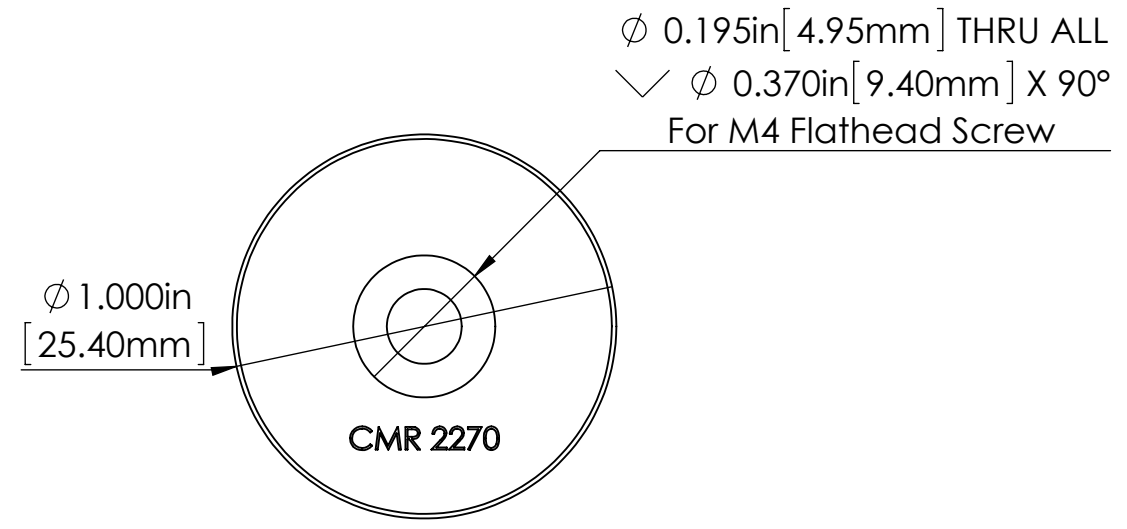
1

Primary magnet face is marked with a label.
 Markings must be aligned and labeled surfaces facing the same direction for proper performance.



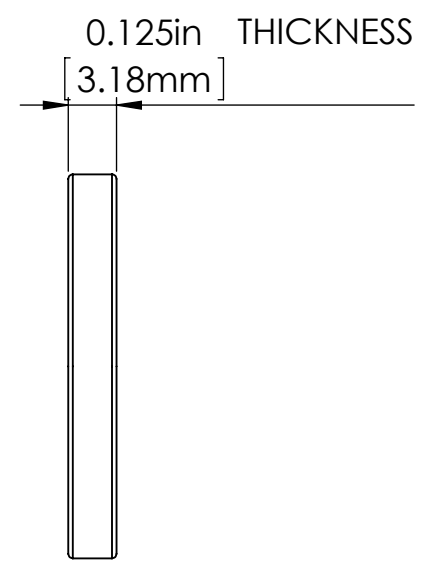
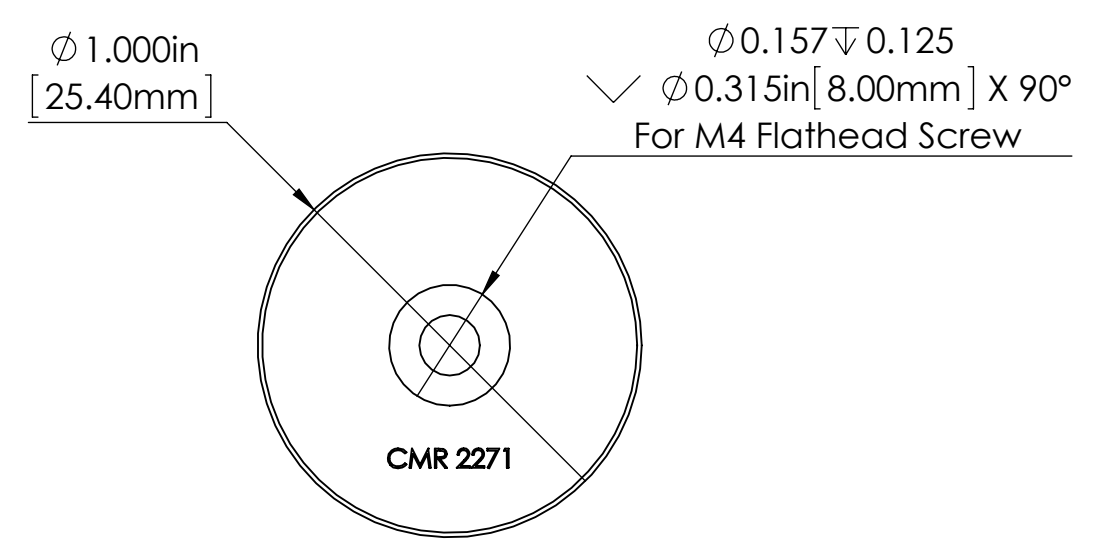
B

B



A

A



THIRD ANGLE PROJECTION

UNLESS OTHERWISE SPECIFIED
 DIMENSIONS ARE IN INCHES
 ANGLES $\pm 0.1^\circ$
 2 PL ± 0.01 (.25mm)
 3 PL ± 0.005 (.13mm)

Polymagnet
 CORRELATED MAGNETICS

PART NO		1002270-1002271	
SIZE	DWG. NO.	REV	
B	1002270-1002271-APP		
SCALE: 2:1	RELEASE DATE:	SHEET 1 OF 1	

4

3

2

1