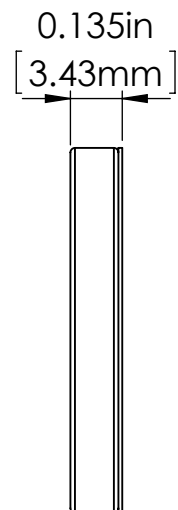
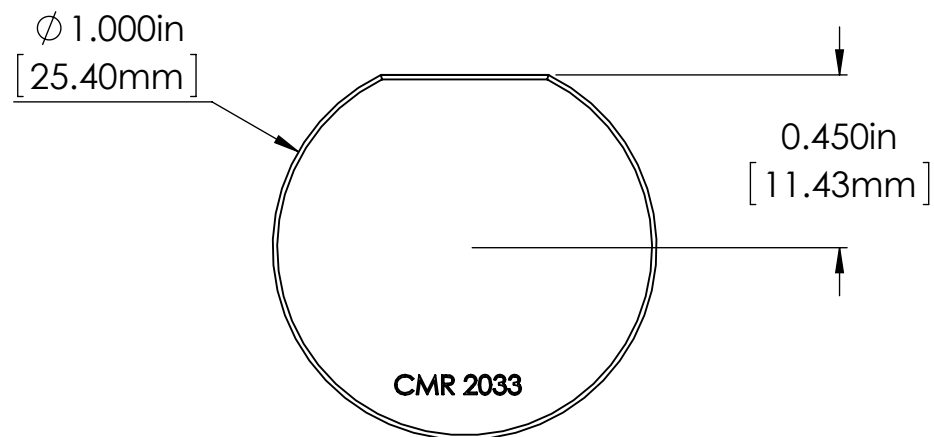
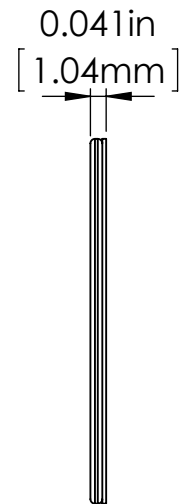
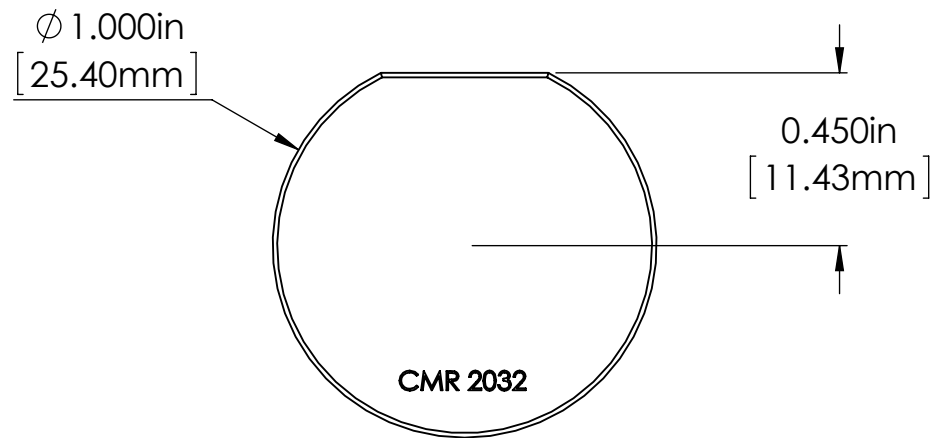
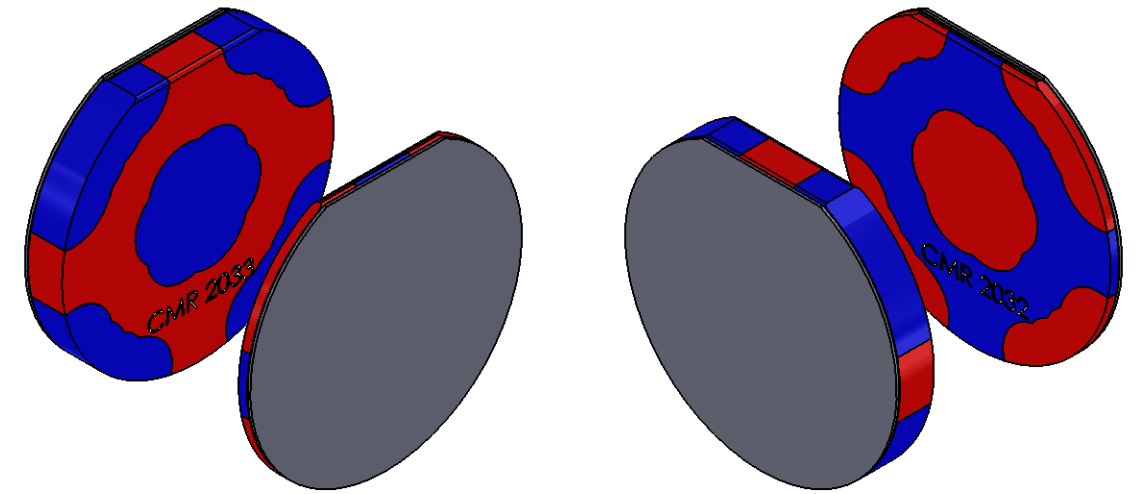
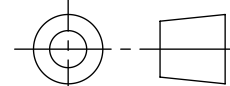


Primary magnet face is marked with an abbreviated part number.
 Markings must be aligned and facing each other for proper performance.



THIRD ANGLE PROJECTION

 UNLESS OTHERWISE SPECIFIED
 DIMENSIONS ARE IN INCHES
 ANGLES ±0.1°
 2 PL ±0.01 (.25mm)
 3 PL ±0.005 (.13mm)



PART NO 1002278		
SIZE B	DWG. NO. 1002278-APP	REV 0
SCALE: 2:1	RELEASE DATE:	SHEET 1 OF 1