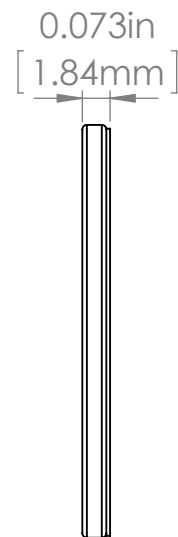
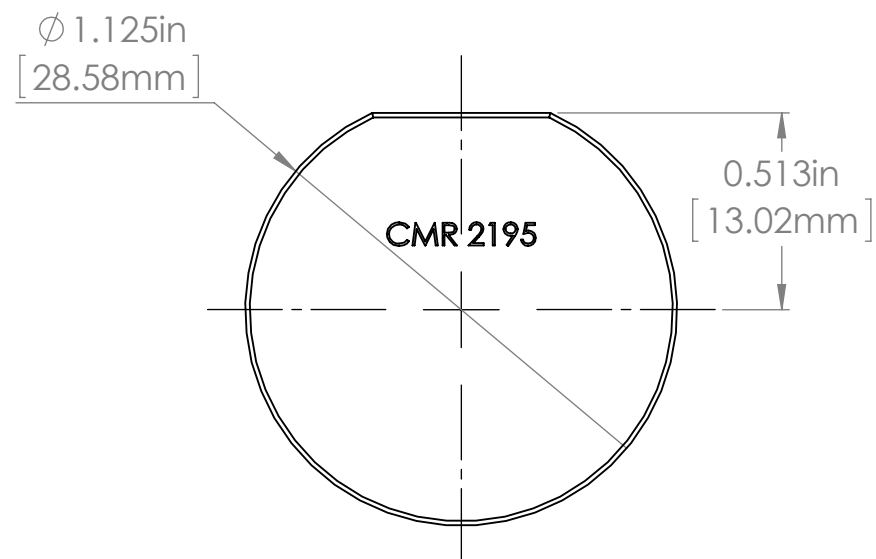
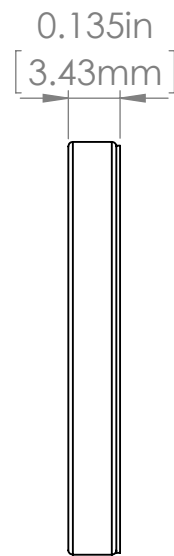
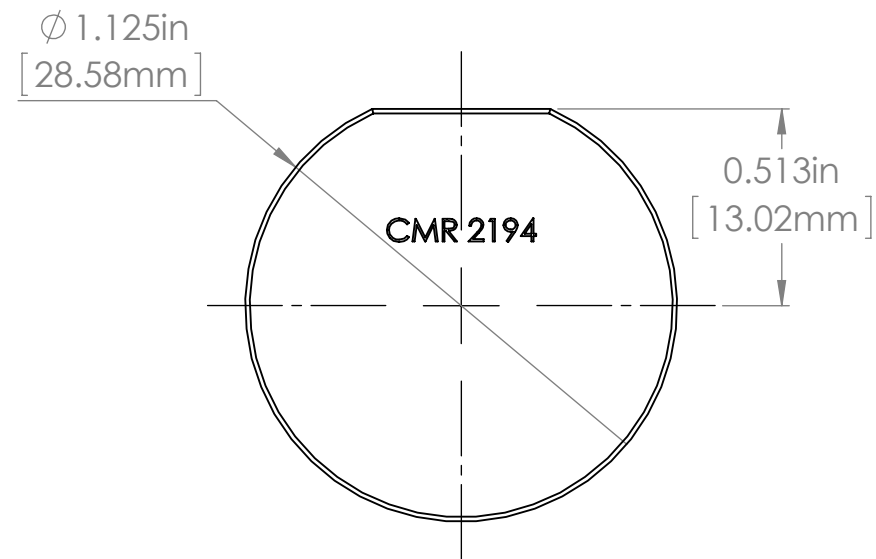
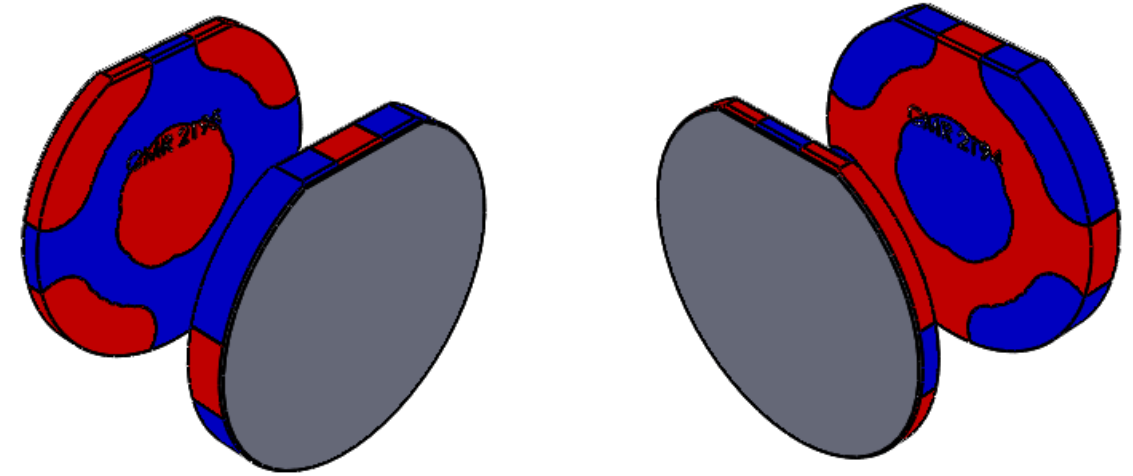


Primary magnet face is marked with CMR PN.
 Markings must be aligned and facing each other
 for proper performance.



THIRD ANGLE PROJECTION

UNLESS OTHERWISE SPECIFIED
 DIMENSIONS ARE IN INCHES
 ANGLES ±0.1°
 2 PL ±0.01 (.25mm)
 3 PL ±0.005 (.13mm)

Polymagnet
 CORRELATED MAGNETICS

PART NO 1002284		
SIZE B	DWG. NO. 1002284-APP	REV 0
SCALE: 2:1	RELEASE DATE:	SHEET 1 OF 1