

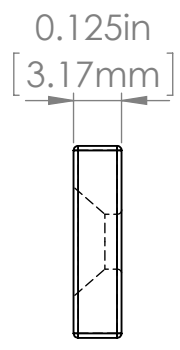
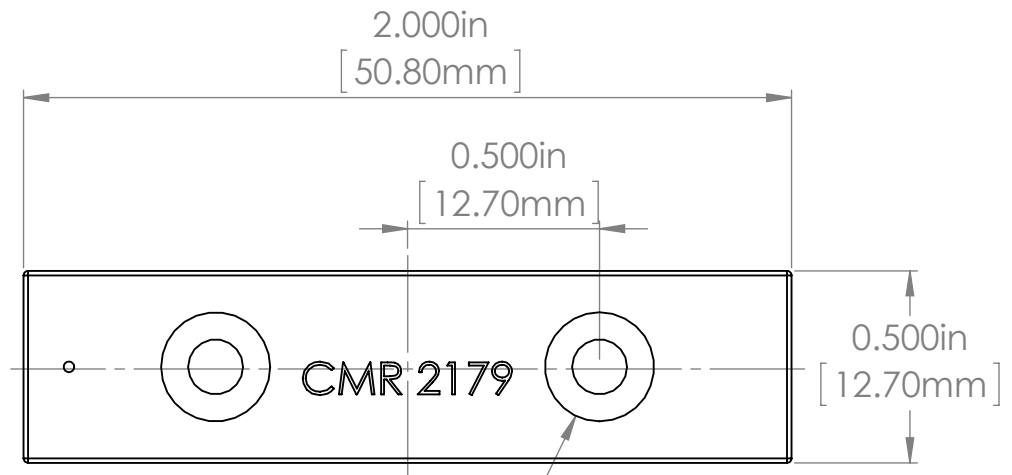
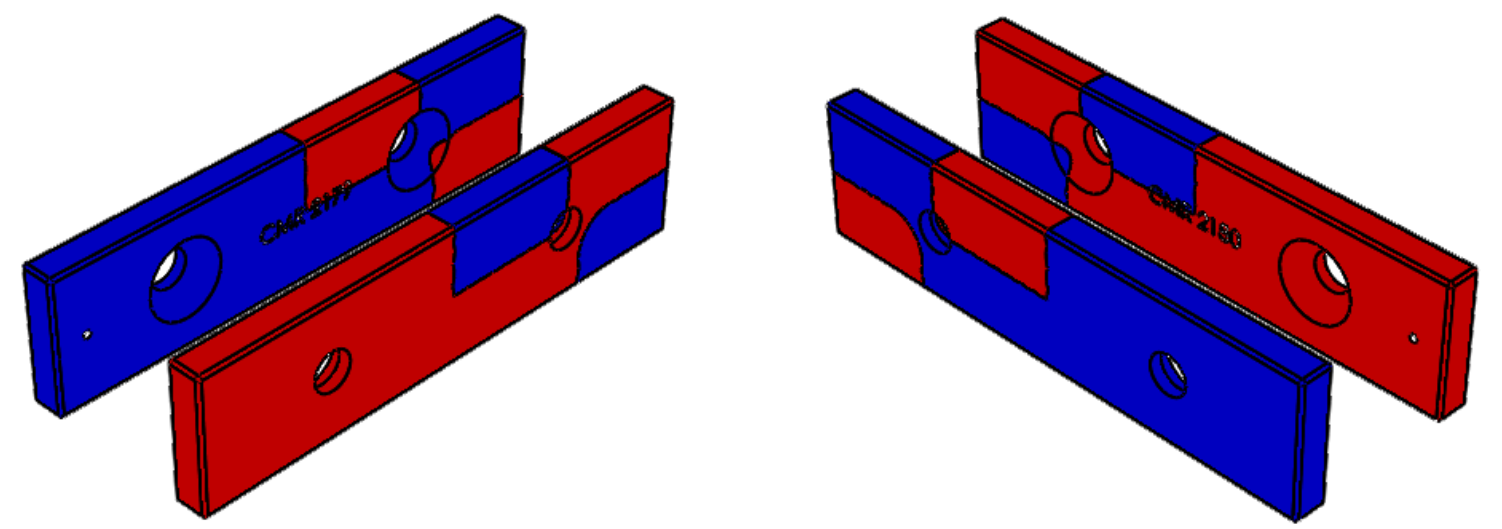
4

3

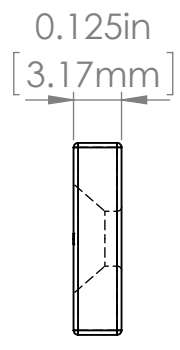
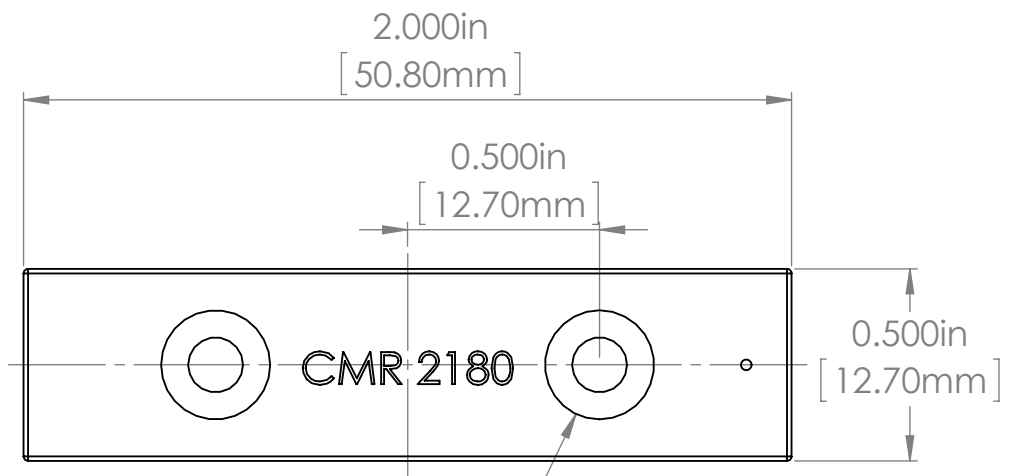
2

1

Primary magnet face is marked with a circular polarity mark.  
 Markings must be aligned and facing each other for proper performance.



$\varnothing 0.143 \nabla 0.113$   
 $\surd \varnothing 0.284 \text{in} [7.21 \text{mm}] \times 82^\circ$   
 X2  
 FITS #6 SCREW



$\varnothing 0.143 \nabla 0.113$   
 $\surd \varnothing 0.284 \text{in} [7.21 \text{mm}] \times 82^\circ$   
 X2  
 FITS #6 SCREW

THIRD ANGLE PROJECTION  
  
 UNLESS OTHERWISE SPECIFIED  
 DIMENSIONS ARE IN INCHES  
 ANGLES  $\pm 0.1^\circ$   
 2 PL  $\pm 0.01$  (.25mm)  
 3 PL  $\pm 0.005$  (.13mm)

**Polymagnet**  
 CORRELATED MAGNETICS

PART NO 1002286		REV 0
SIZE <b>B</b>	DWG. NO. 1002286-APP	
SCALE: 2:1	RELEASE DATE:	SHEET 1 OF 1

4

3

2

1

B

B

A

A