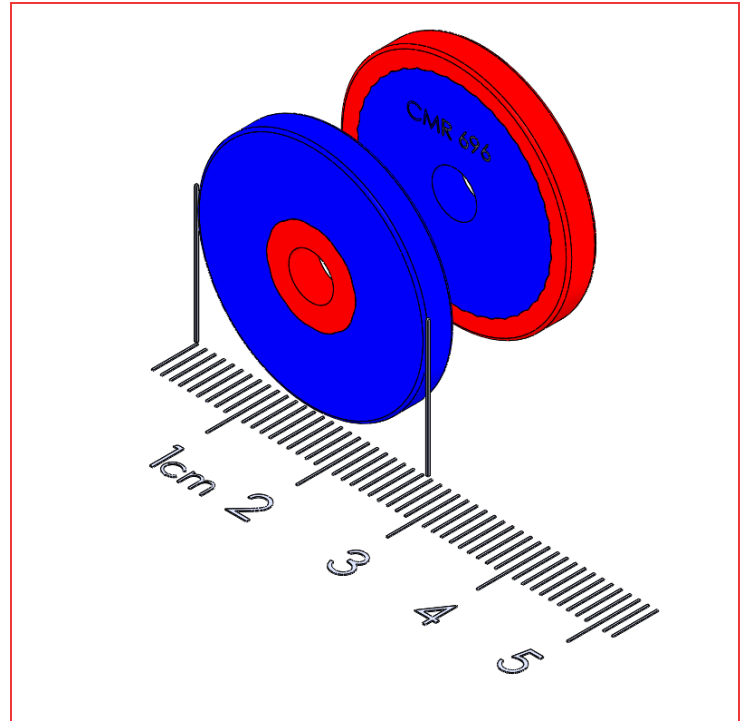


www.polymagnet.com

1002291

Latch Polymagnet Pair – Push to Close – 1” Ring

These Polymagnets repel at a distance, but when they are pushed closer together they are attracted to function as a latch. These magnets must be axially constrained to function correctly.



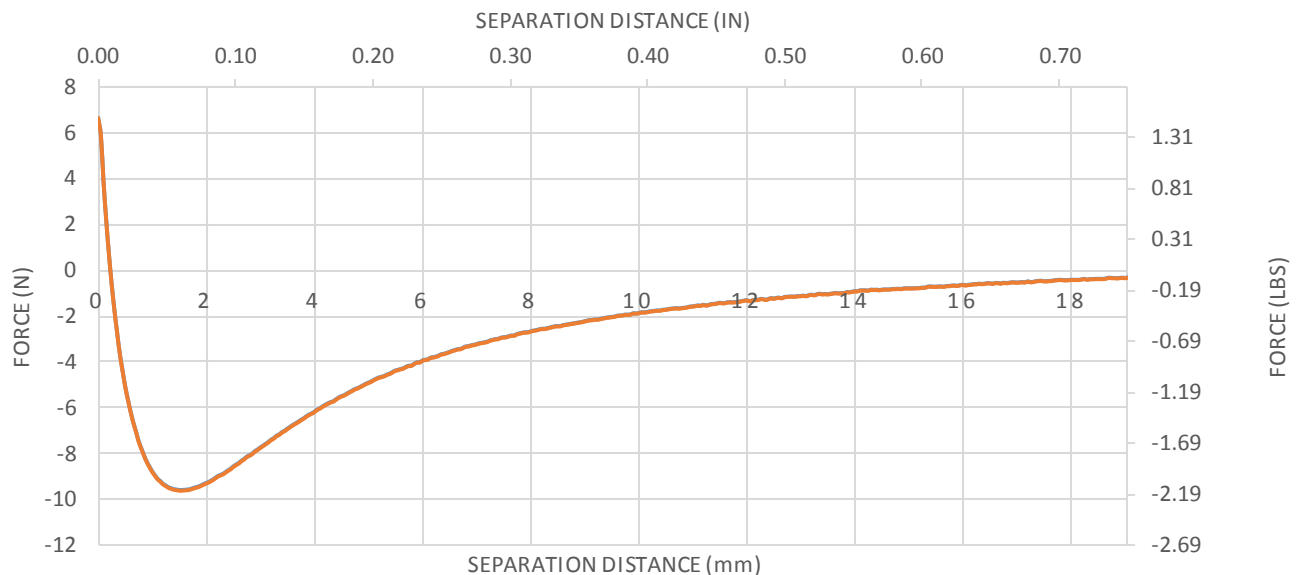
Features and Benefits

- Through hole
- Unique push-to-close latch behavior
- 1000696 – 1” OD 0.195” ID x 0.125” thick
- 1000697 – 1” OD 0.195” ID x 0.125” thick

Technical Specifications:

Dimensions:	1 OD 0.195 ID x 0.125 in
	25.4 OD 4.953 ID x 3.175 mm
Weight:	0.4oz (11.6g)
Material:	NdFeB
Magnet Grade:	N40
Coating:	NI-CU-NI
Temperature Rating:	176° F (80° C)

HOLDING FORCE VS SEPARATION DISTANCE MAGNET TO MAGNET



A pair of Polymagnets 1000696/100697 will repel at a distance, and will clamp shut in attraction once pushed closed. The magnets must be axially constrained to exhibit this behavior.

Notes on Performance Data

The performance information provided in this data sheet is derived from test or simulation results of directly comparable magnets of the same size and grade under consistent conditions. The magnets are tested under controlled environmental conditions. Unconstrained application testing may give lower forces due to the magnet tilting or shifting away from target during engagement and disengagement.

Patent Information

Pat. www.cmrpatents.com

