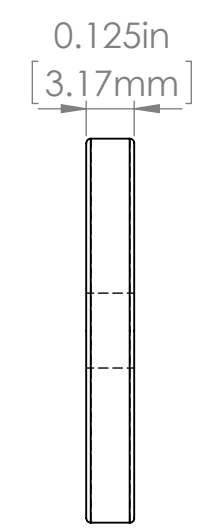
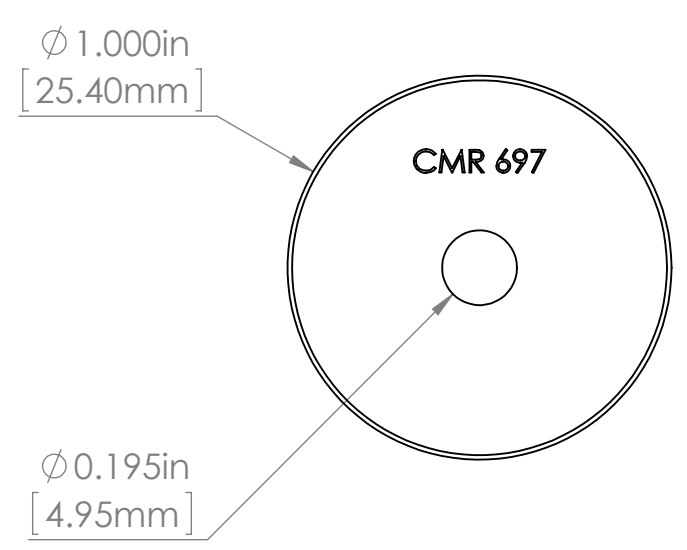
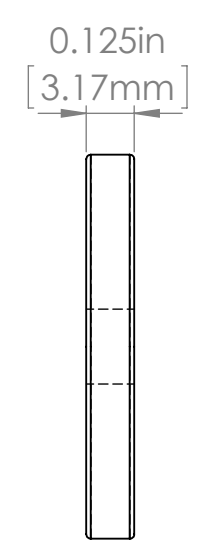
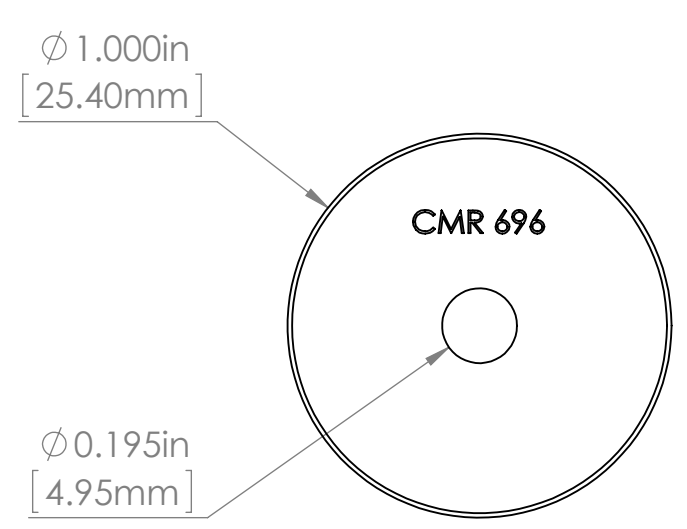
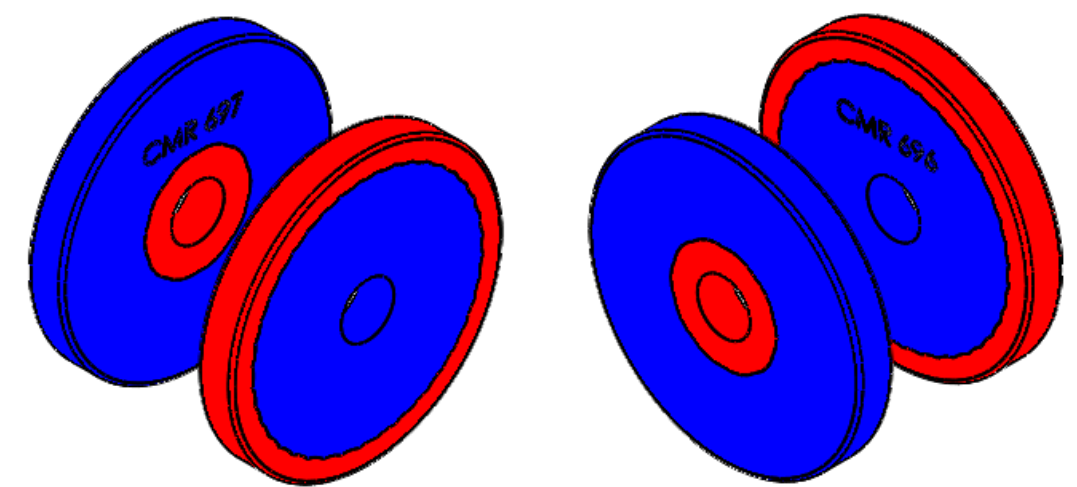
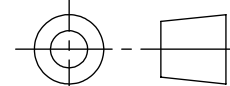



Primary magnet face is marked with a CMR PN.
 Markings must be facing each other.
 Magnets must be axially constrained for proper performance.



THIRD ANGLE PROJECTION

 UNLESS OTHERWISE SPECIFIED
 DIMENSIONS ARE IN INCHES
 ANGLES ±0.1°
 2 PL ±0.01 (.25mm)
 3 PL ±0.005 (.13mm)

 Polymagnet CORRELATED MAGNETICS		
PART NO 1002291		
SIZE B	DWG. NO. 1002291-APP	REV 0
SCALE: 2:1	RELEASE DATE:	SHEET 1 OF 1