

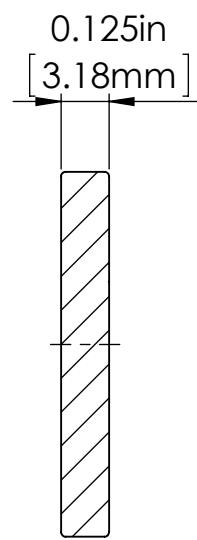
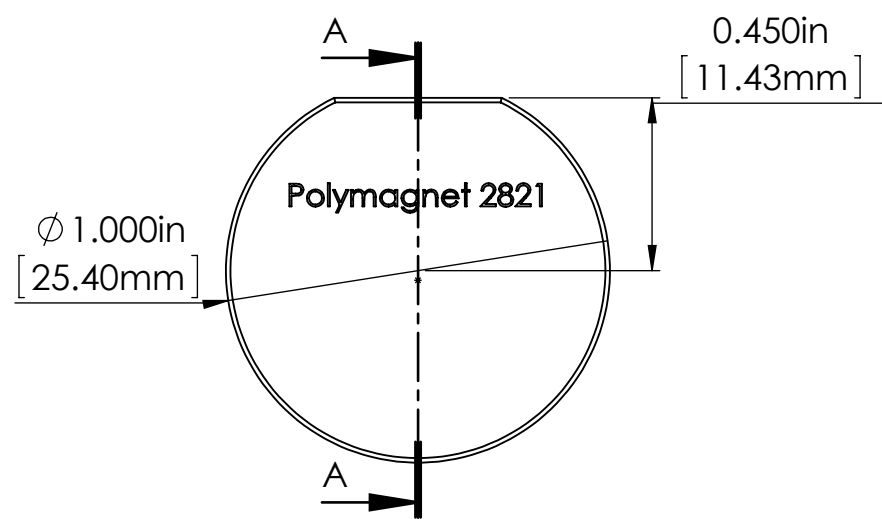
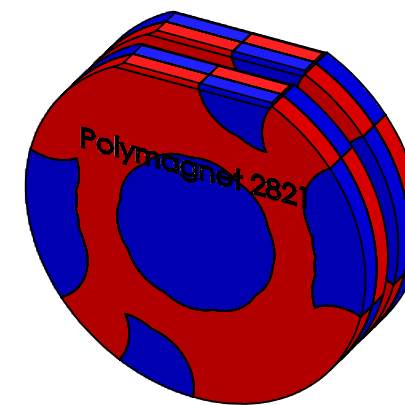
4

3

2

1

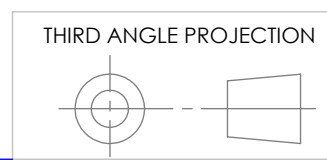
- 1. Primary magnet face is marked with a circular polarity mark. Markings must be aligned and facing the same direction for proper performance.
- 2. Material: NdFeB N50
- 3. Coating: Ni-Cu-Ni



SECTION A-A

B

A



PART NO 1002821		
Size B	DWG. NO. 1002821-APP	Rev 0
SCALE: 2:1	RELEASE DATE:	SHEET 1 OF 1

THIS DESIGN IMPLICATES ONE OR MORE
CMR PATENTS AND/OR
PATENT APPLICATIONS
[CMR PATENT LINK](#)

UNLESS OTHERWISE SPECIFIED
DIMENSIONS ARE IN INCHES
ANGLES ±0.1°
2 PL ±0.01 (.25mm)
3 PL ±0.005 (.13mm)

4

3

2

1