

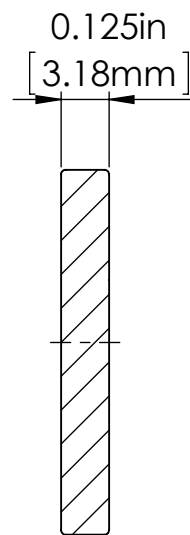
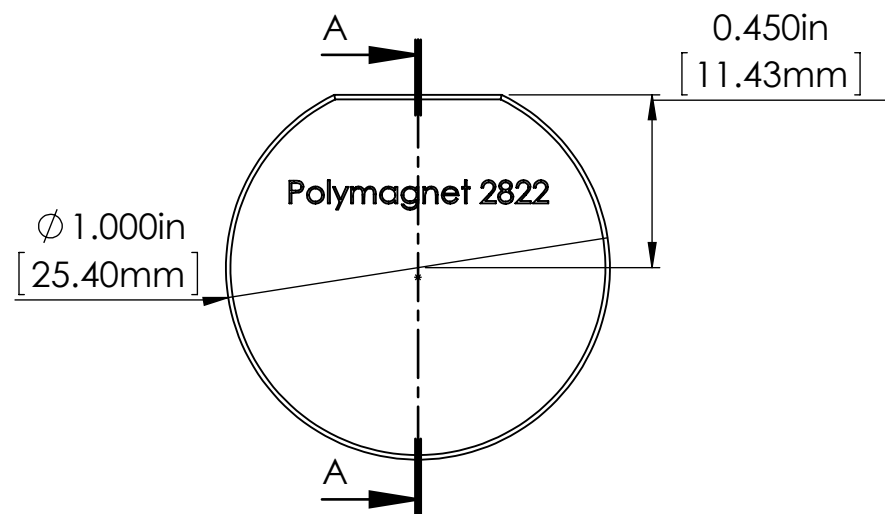
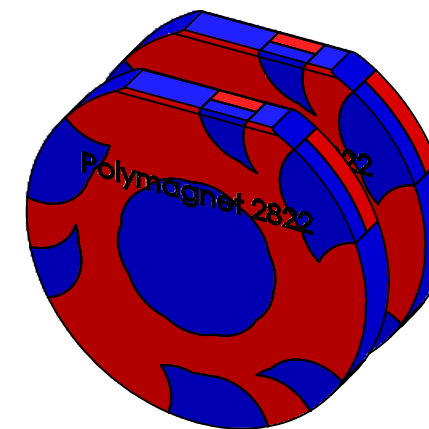
4

3

2

1

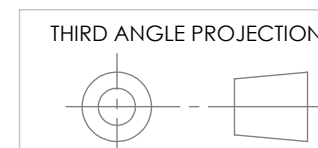
- 1. Primary magnet face is marked with a circular polarity mark. Markings must be aligned and facing the same direction for proper performance.
- 2. Material: NdFeB N50
- 3. Coating: Ni-Cu-Ni



SECTION A-A

B

A



UNLESS OTHERWISE SPECIFIED
 DIMENSIONS ARE IN INCHES
 ANGLES $\pm 0.1^\circ$
 2 PL ± 0.01 (.25mm)
 3 PL ± 0.005 (.13mm)

THIS DESIGN IMPLICATES ONE OR MORE
 CMR PATENTS AND/ OR
 PATENT APPLICATIONS
[CMR PATENT LINK](#)



PART NO 1002822		
Size B	DWG. NO. 1002822-APP	Rev 0
SCALE: 2:1	RELEASE DATE:	SHEET 1 OF 1

4

3

2

1