

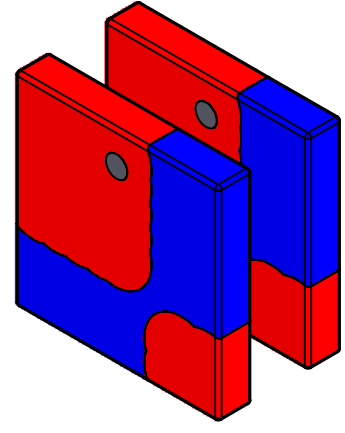
4

3

2

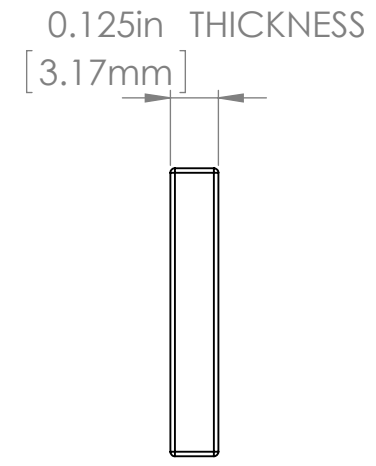
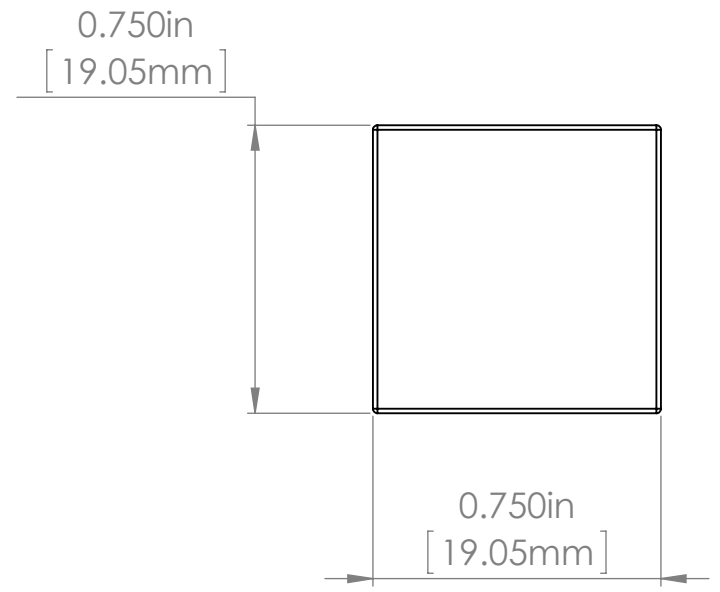
1

Polarity indicated for marked face of magnet



B

B



A

A



THIRD ANGLE PROJECTION

UNLESS OTHERWISE SPECIFIED
DIMENSIONS ARE IN INCHES
ANGLES $\pm 0.1^\circ$
2 PL ± 0.01 (.25mm)
3 PL ± 0.005 (.13mm)

CORRELATED MAGNETICS RESEARCH		
PART NO 1001100		
SIZE B	DWG. NO. 1001100-APP	REV A
SCALE: 2:1	RELEASE DATE:	SHEET 1 OF 1

4

3

2

1