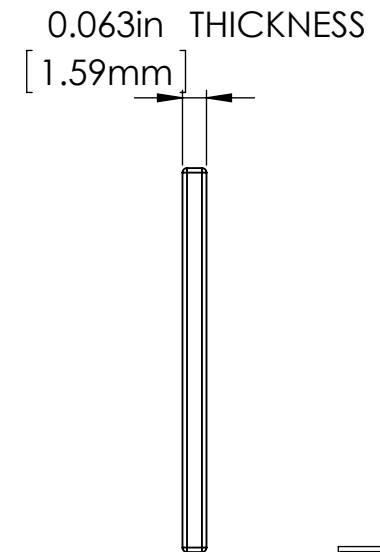
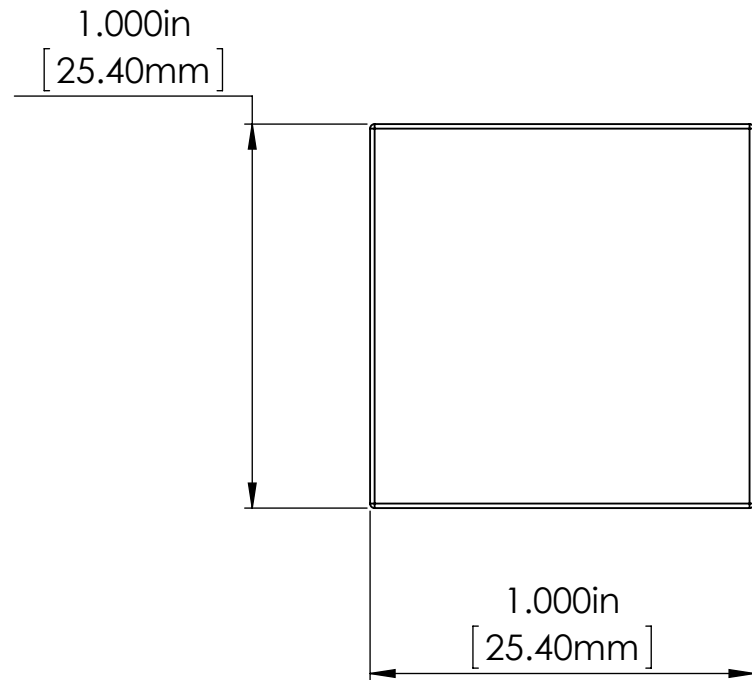
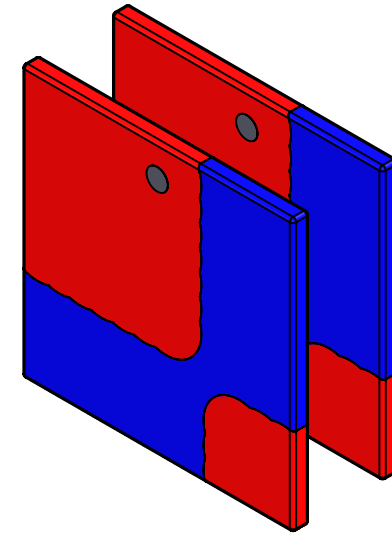


Primary magnet face is marked with a circular polarity mark.
 Markings must be aligned and facing the same direction for proper performance.



THIRD ANGLE PROJECTION			
UNLESS OTHERWISE SPECIFIED DIMENSIONS ARE IN INCHES ANGLES $\pm 0.1^\circ$ 2 PL ± 0.01 (.25mm) 3 PL ± 0.005 (.13mm)		CORRELATED MAGNETICS RESEARCH	
		PART NO 1001105	
SIZE B	DWG. NO. 1001105-APP	REV A	
SCALE: 2:1	RELEASE DATE:	SHEET 1 OF 1	