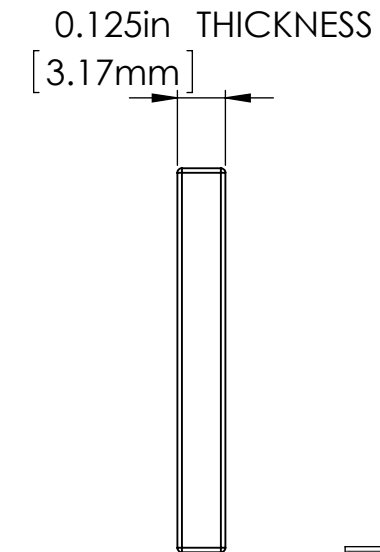
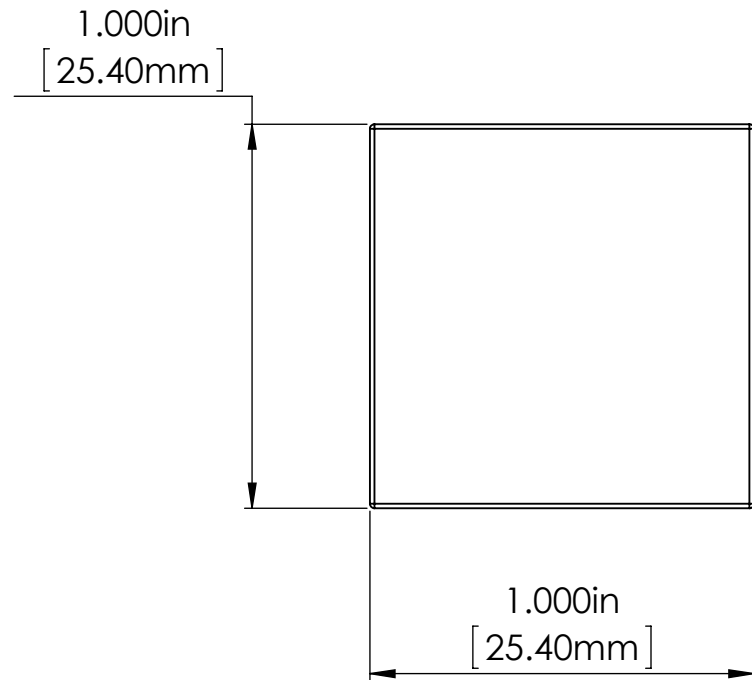
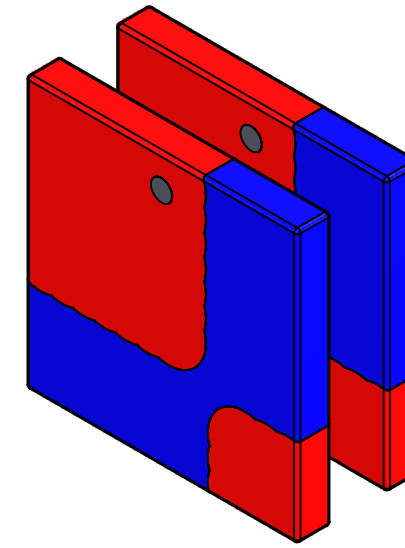


Primary magnet face is marked with a circular polarity mark.  
 Markings must be aligned and facing the same direction for proper performance.



THIRD ANGLE PROJECTION 			
UNLESS OTHERWISE SPECIFIED DIMENSIONS ARE IN INCHES ANGLES $\pm 0.1^\circ$ 2 PL $\pm 0.01$ (.25mm) 3 PL $\pm 0.005$ (.13mm)		CORRELATED MAGNETICS RESEARCH PART NO 1001106	
SIZE <b>B</b>	DWG. NO. 1001106-APP	REV A	
SCALE: 2:1	RELEASE DATE:	SHEET 1 OF 1	