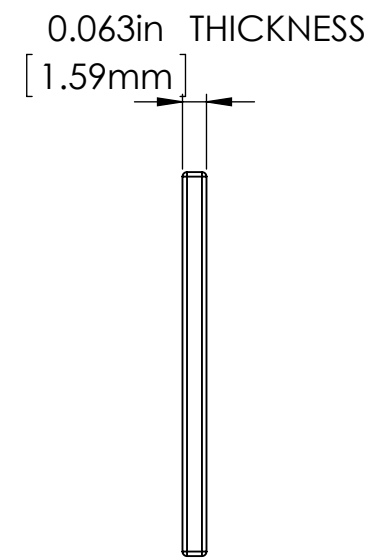
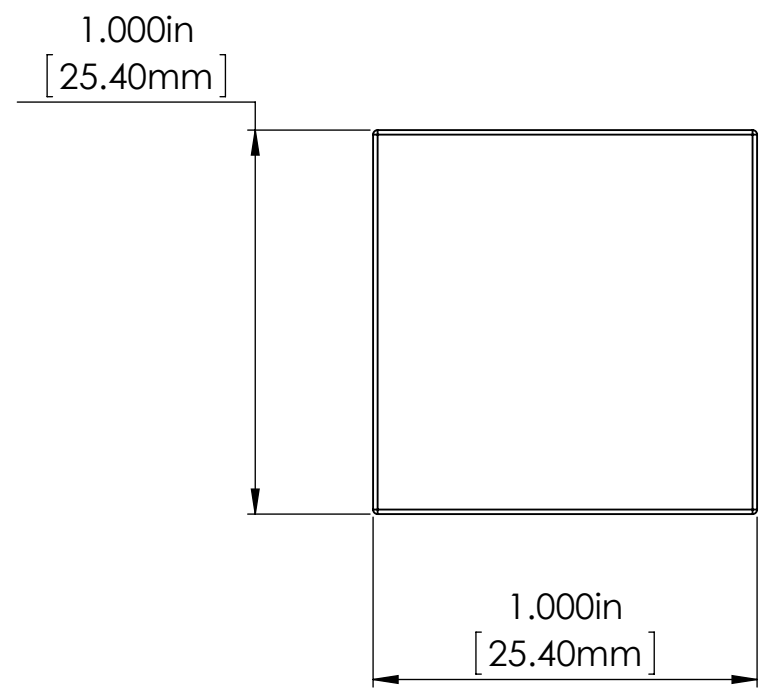
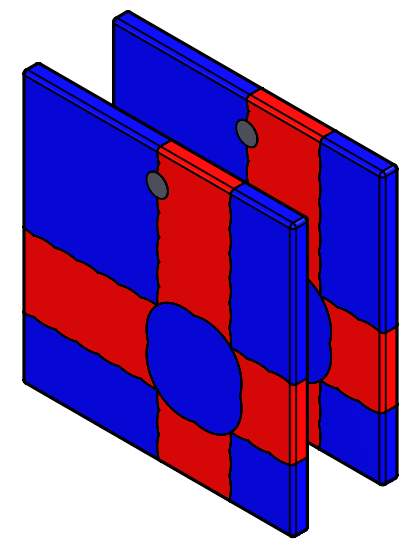


Primary magnet face is marked with a circular polarity mark.
 Markings must be aligned and facing the same direction for proper performance.



THIRD ANGLE PROJECTION

UNLESS OTHERWISE SPECIFIED
 DIMENSIONS ARE IN INCHES
 ANGLES ±0.1°
 2 PL ±0.01 (.25mm)
 3 PL ±0.005 (.13mm)

Polymagnet
 CORRELATED MAGNETICS

PART NO
 1001107

SIZE B	DWG. NO. 1001107-APP	REV A
SCALE: 2:1		RELEASE DATE:

SHEET 1 OF 1