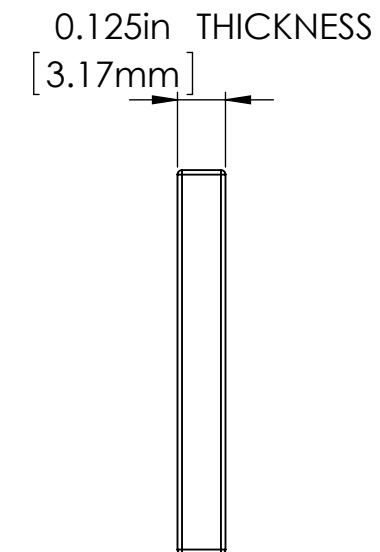
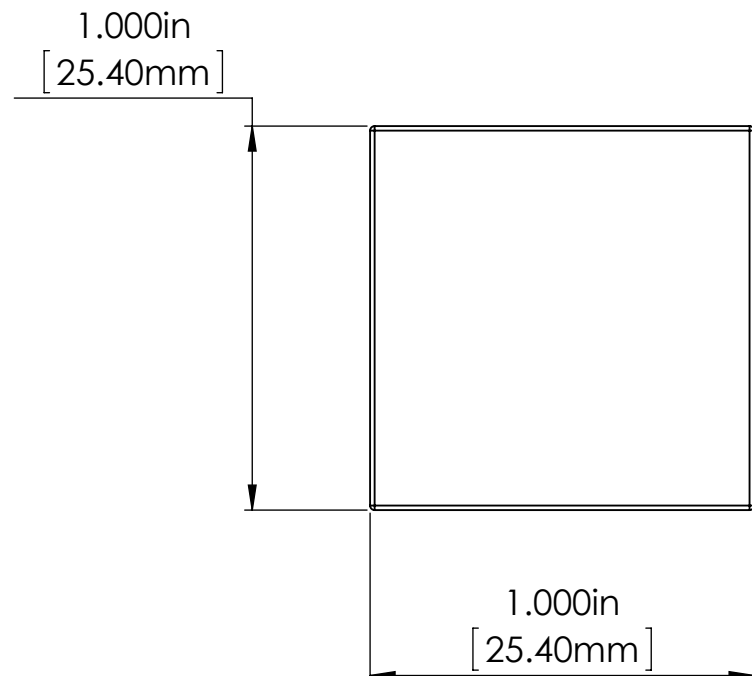
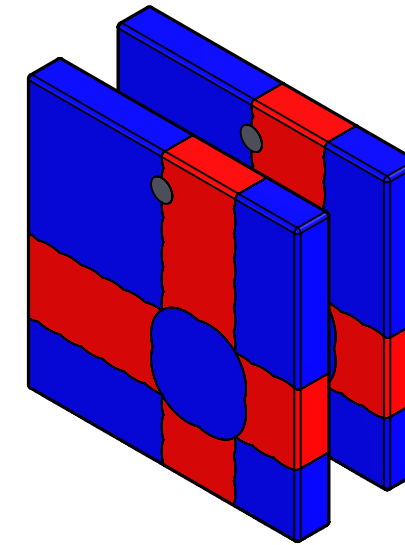


Primary magnet face is marked with a circular polarity mark.  
 Markings must be aligned and facing the same direction for proper performance.



<p>THIRD ANGLE PROJECTION</p>			
<p>UNLESS OTHERWISE SPECIFIED          DIMENSIONS ARE IN INCHES          ANGLES <math>\pm 0.1^\circ</math>          2 PL <math>\pm 0.01</math> (.25mm)          3 PL <math>\pm 0.005</math> (.13mm)</p>		<p>PART NO 1001108</p>	
<p>SIZE <b>B</b></p>	<p>DWG. NO. 1001108-APP</p>	<p>REV A</p>	
<p>SCALE: 2:1</p>	<p>RELEASE DATE:</p>	<p>SHEET 1 OF 1</p>	