

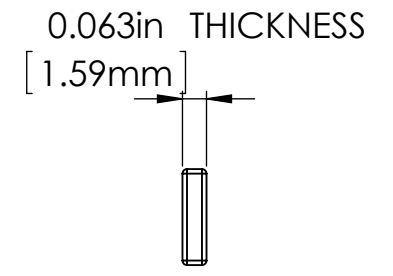
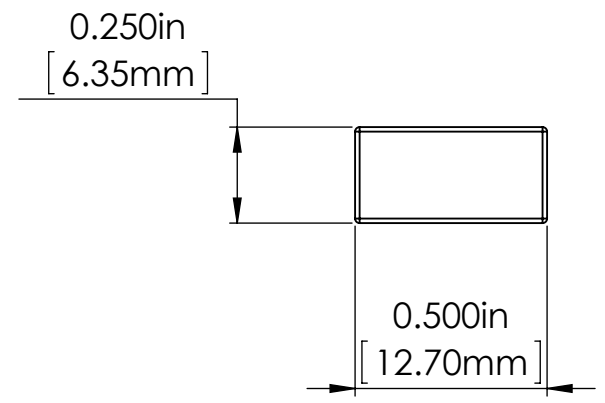
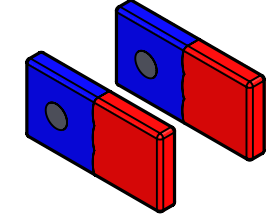
4

3

2

1

Primary magnet face is marked with a circular polarity mark.
Markings must be aligned and facing the same direction for proper performance.



THIRD ANGLE PROJECTION

UNLESS OTHERWISE SPECIFIED
DIMENSIONS ARE IN INCHES
ANGLES $\pm 0.1^\circ$
2 PL ± 0.01 (.25mm)
3 PL ± 0.005 (.13mm)

Polymagnet
CORRELATED MAGNETICS

PART NO 1001113		REV A
SIZE B	DWG. NO. 1001113-APP	
SCALE: 2:1	RELEASE DATE:	SHEET 1 OF 1

4

3

2

1

B

B

A

A