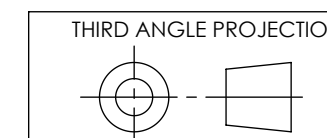
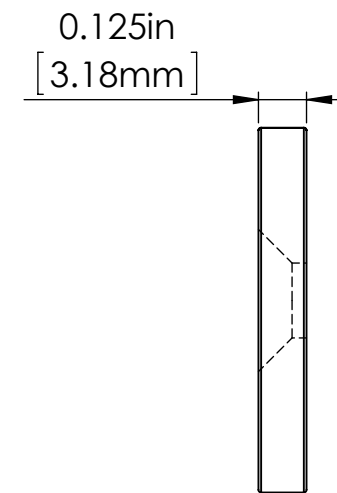
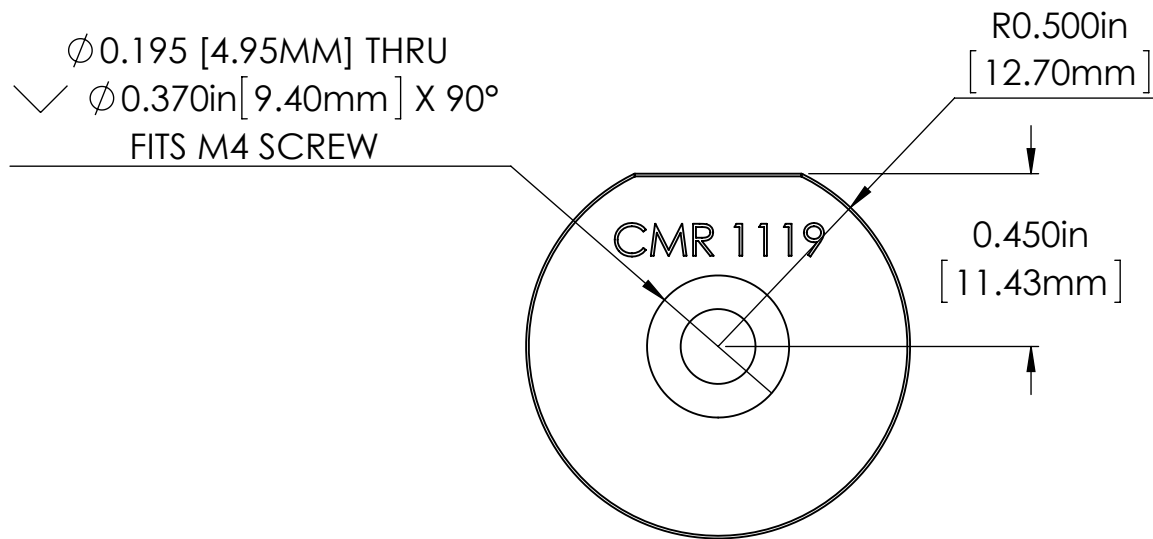
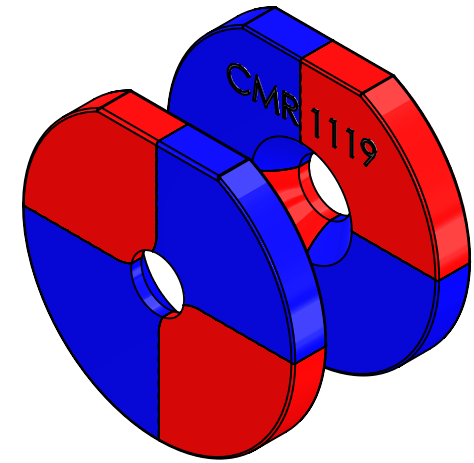


Primary magnet face is marked with part number. Orient magnets such that part numbers are facing each other and flats are aligned.



UNLESS OTHERWISE SPECIFIED
 DIMENSIONS ARE IN INCHES
 ANGLES $\pm 0.1^\circ$
 2 PL ± 0.01 (.25mm)
 3 PL ± 0.005 (.13mm)



PART NO 1001119		
SIZE B	DWG. NO. 1001119-APP	REV A
SCALE: 2:1	RELEASE DATE:	SHEET 1 OF 1