

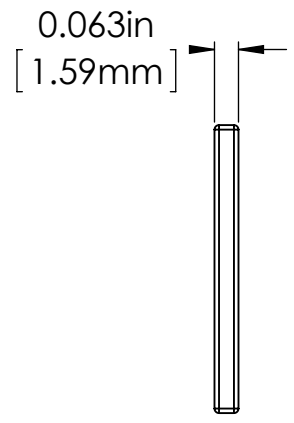
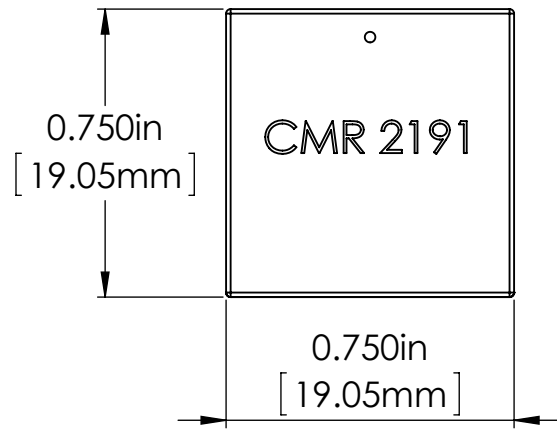
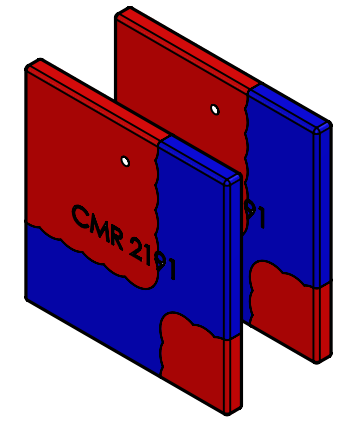
4

3

2

1

Primary magnet face is marked with a circular polarity mark.
Markings must be aligned and facing the same direction for proper performance.



THIRD ANGLE PROJECTION

UNLESS OTHERWISE SPECIFIED
DIMENSIONS ARE IN INCHES
ANGLES ±0.1°
2 PL ±0.01 (.25mm)
3 PL ±0.005 (.13mm)

Polymagnet
CORRELATED MAGNETICS

PART NO. 1002191		REV
SIZE B	DWG. NO. 1002191-APP	
SCALE: 2:1	RELEASE DATE:	SHEET 1 OF 1

4

3

2

1

B

B

A

A