

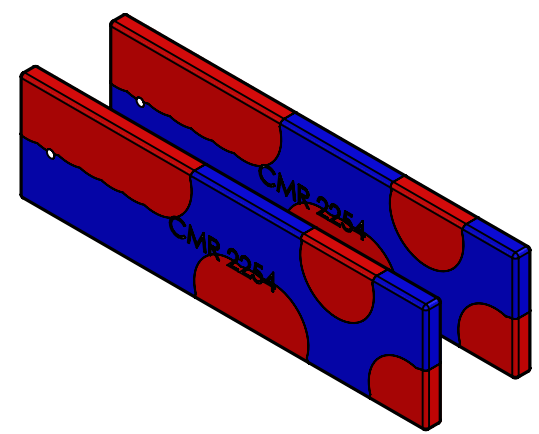
4

3

2

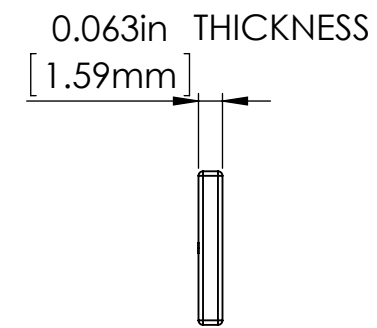
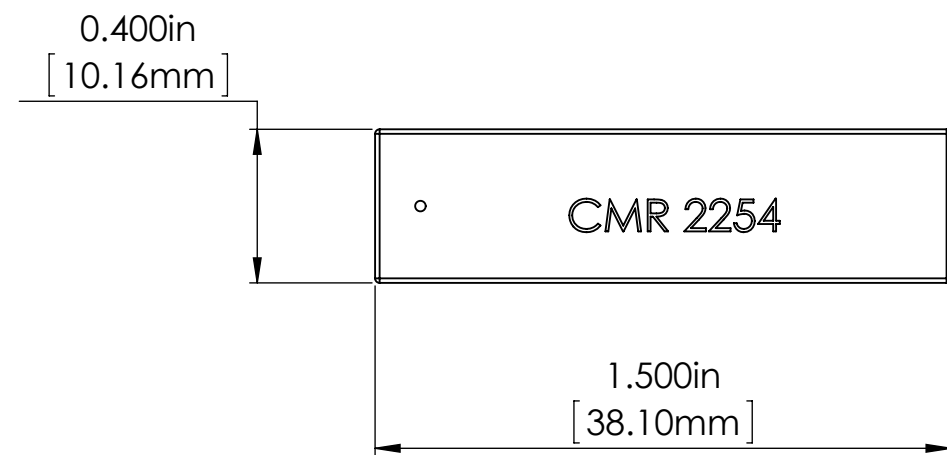
1

Primary magnet face is marked with a label.
Markings must be aligned and facing the same direction for proper performance.



B

B



A

A

4

3

2

1

THIRD ANGLE PROJECTION

UNLESS OTHERWISE SPECIFIED
DIMENSIONS ARE IN INCHES
ANGLES ±0.1°
2 PL ±0.01 (.25mm)
3 PL ±0.005 (.13mm)

Polymagnet
CORRELATED MAGNETICS

PART NO 1002254		REV
SIZE B	DWG. NO. 1002254-APP	
SCALE: 2:1	RELEASE DATE:	SHEET 1 OF 1