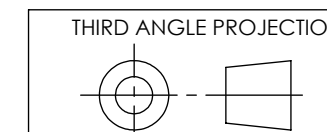
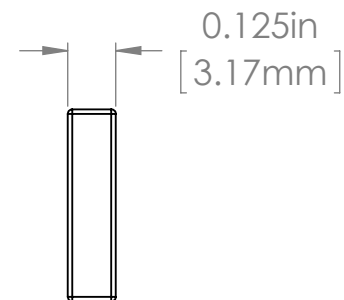
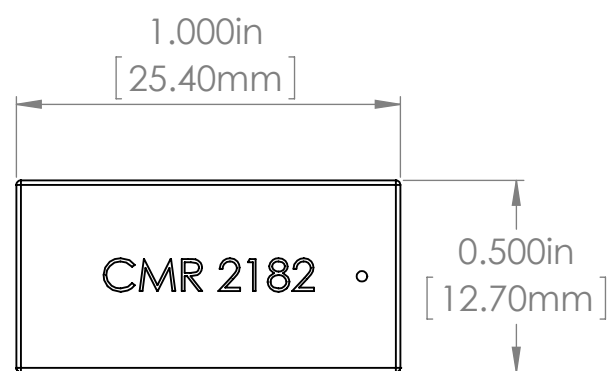
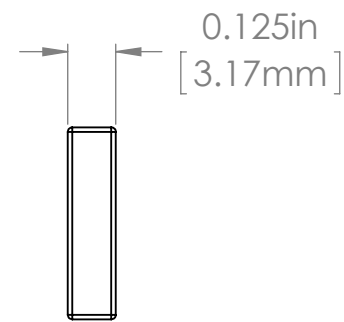
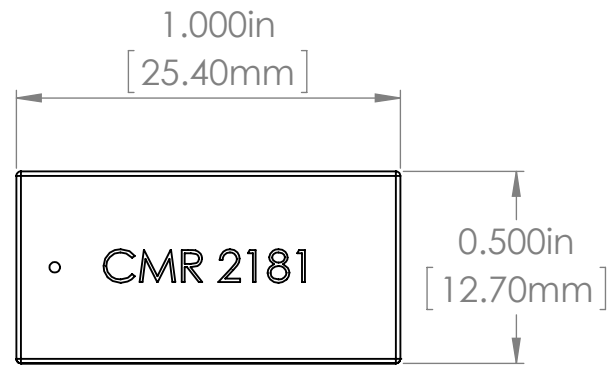
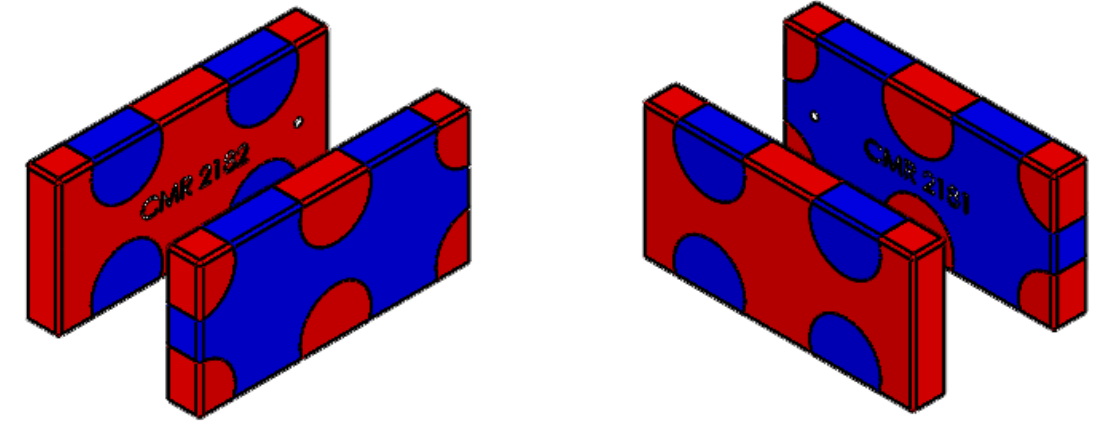


Primary magnet face is marked with a circular polarity mark.
Magnets must be aligned along their length and markings must facing each other for proper performance.



THIRD ANGLE PROJECTION
UNLESS OTHERWISE SPECIFIED
DIMENSIONS ARE IN INCHES
ANGLES $\pm 0.1^\circ$
2 PL ± 0.01 (.25mm)
3 PL ± 0.005 (.13mm)



PART NO 1002287		
SIZE B	DWG. NO. 1002287-APP	REV 0
SCALE: 2:1	RELEASE DATE:	SHEET 1 OF 1