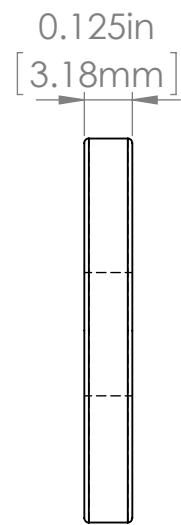
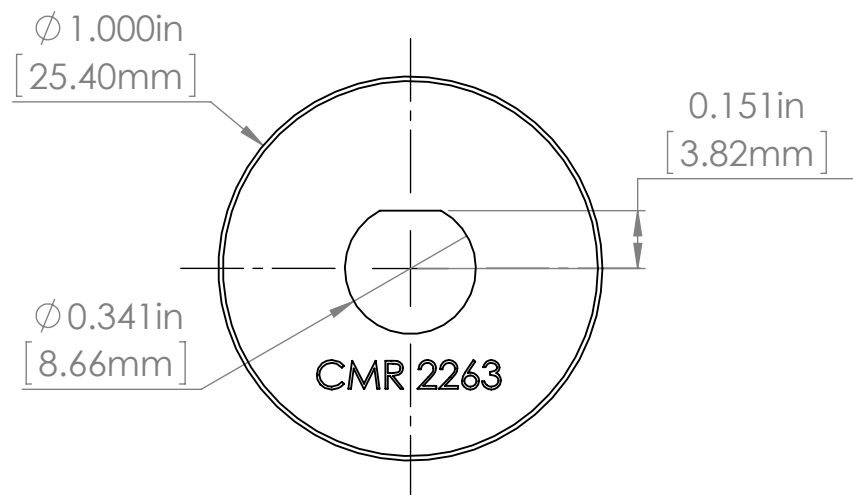
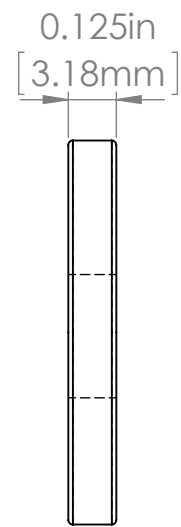
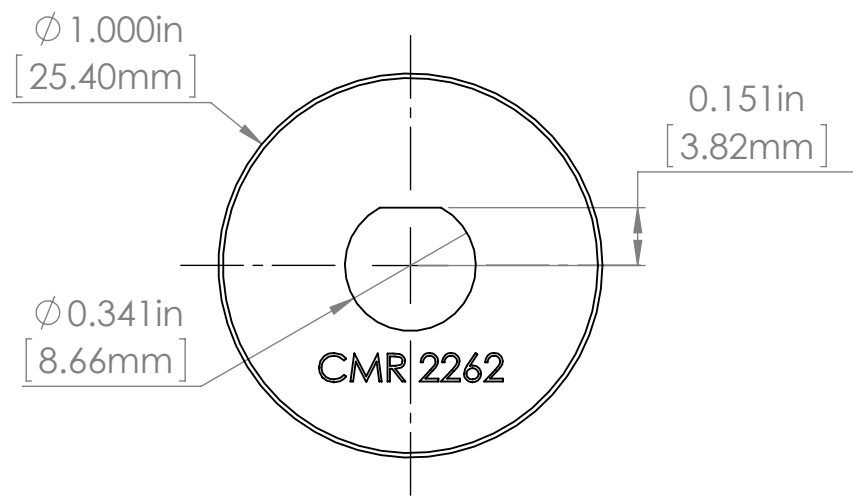
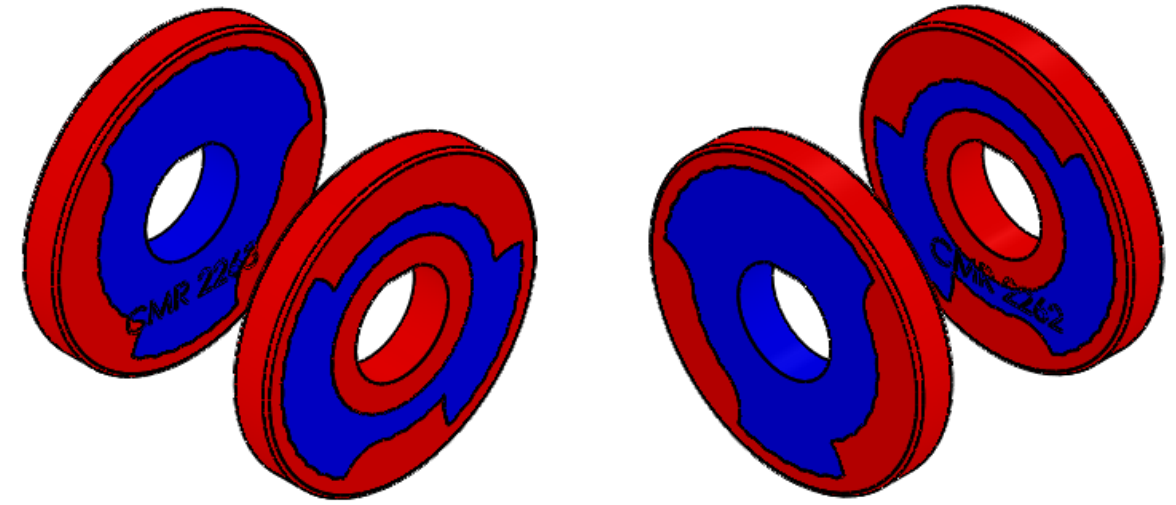
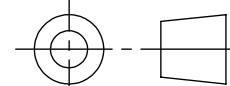



Primary magnet face is marked with a CMR PN.  
 Markings must be aligned and facing each.  
 Magnets must be axially constrained for proper performance.



THIRD ANGLE PROJECTION  
  
 UNLESS OTHERWISE SPECIFIED  
 DIMENSIONS ARE IN INCHES  
 ANGLES ±0.1°  
 2 PL ±0.01 (.25mm)  
 3 PL ±0.005 (.13mm)

 <b>Polymagnet</b> CORRELATED MAGNETICS		
PART NO 1002288		
SIZE <b>B</b>	DWG. NO. 1002288-APP	REV 0
SCALE: 2:1	RELEASE DATE:	SHEET 1 OF 1