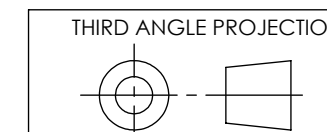
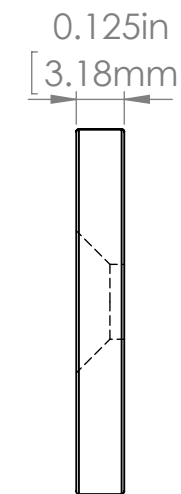
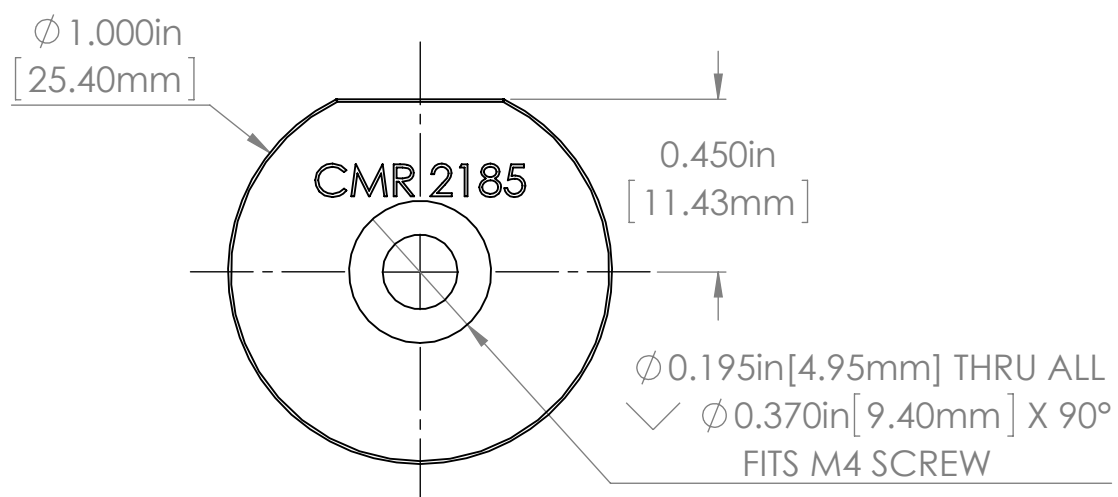
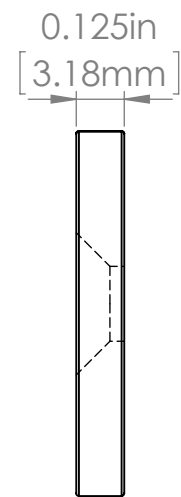
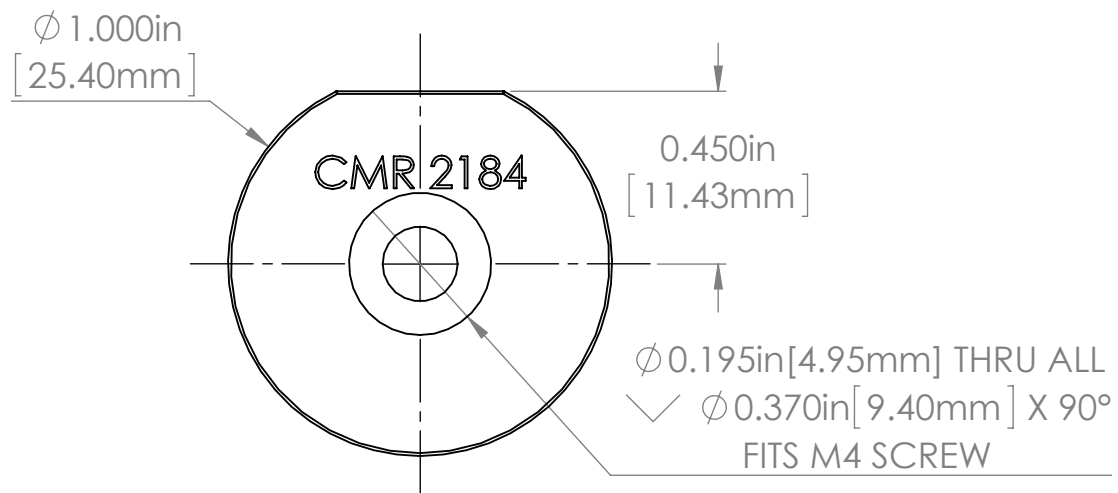
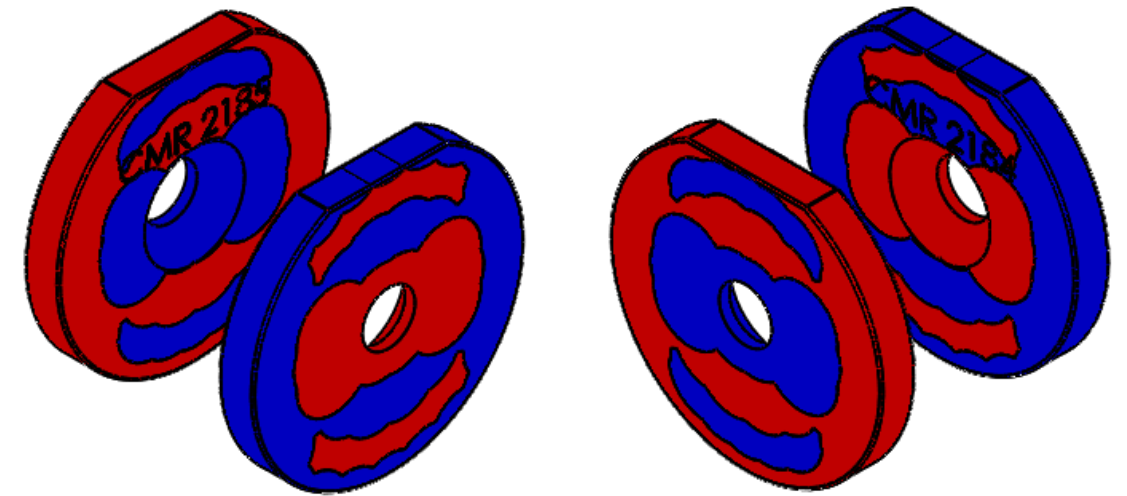


Primary magnet face is marked with a CMR PN.
 Markings must be aligned and facing each other.
 Magnets must be axially constrained for proper performance.



UNLESS OTHERWISE SPECIFIED
 DIMENSIONS ARE IN INCHES
 ANGLES $\pm 0.1^\circ$
 2 PL ± 0.01 (.25mm)
 3 PL ± 0.005 (.13mm)

Polymagnet CORRELATED MAGNETICS		
PART NO 1002298		
SIZE B	DWG. NO. 1002298-APP	REV 0
SCALE: 2:1		RELEASE DATE:
		SHEET 1 OF 1