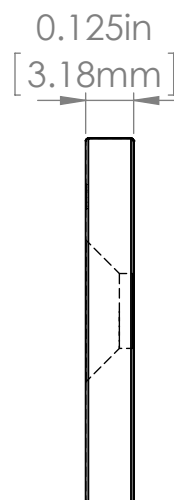
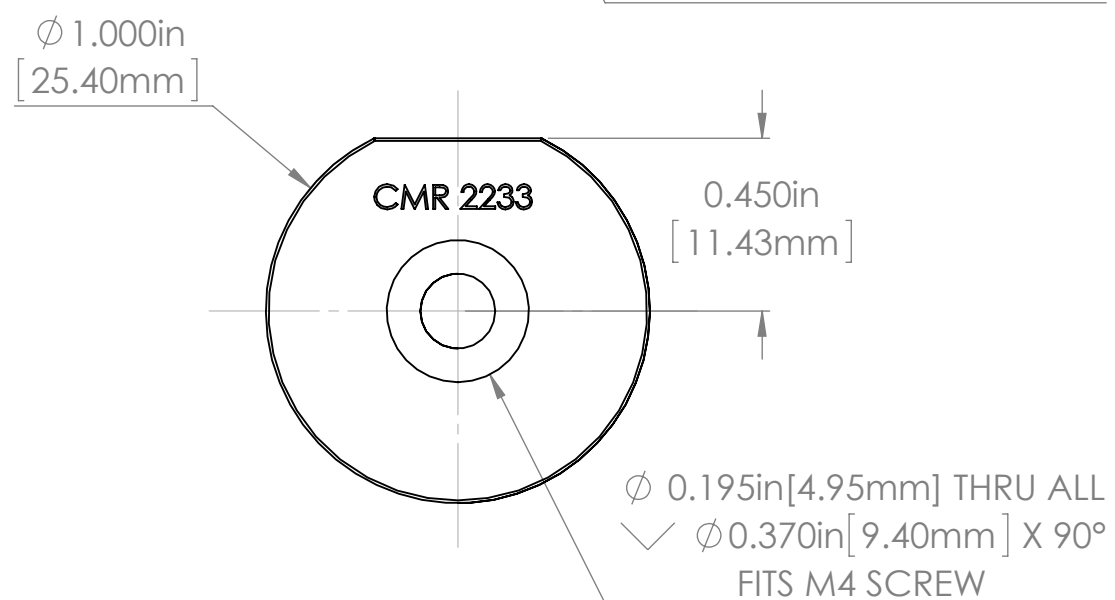
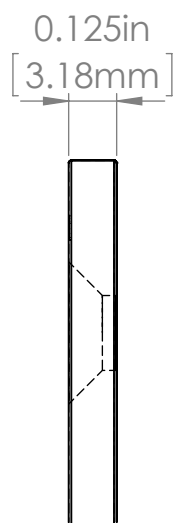
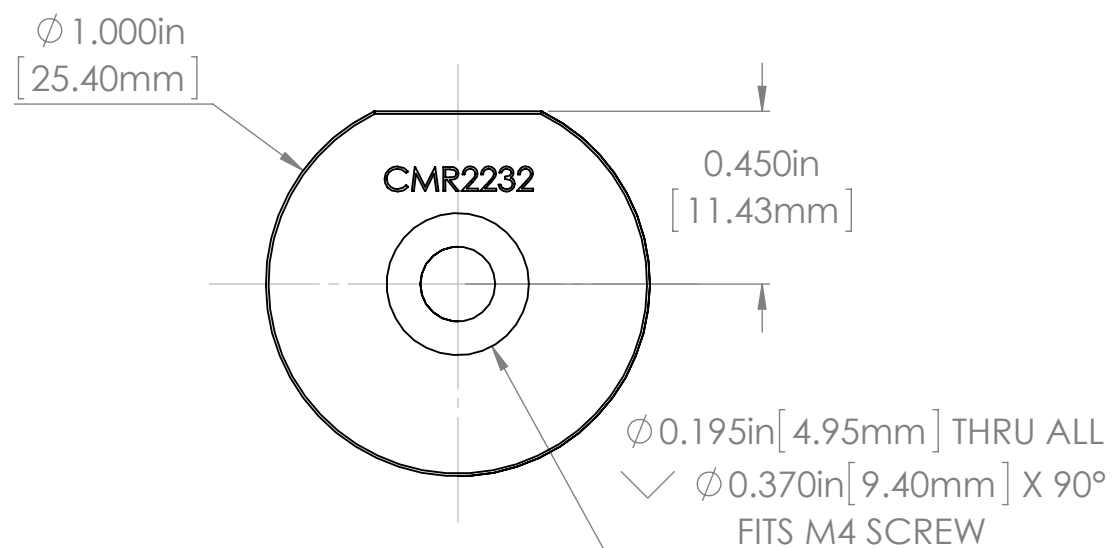
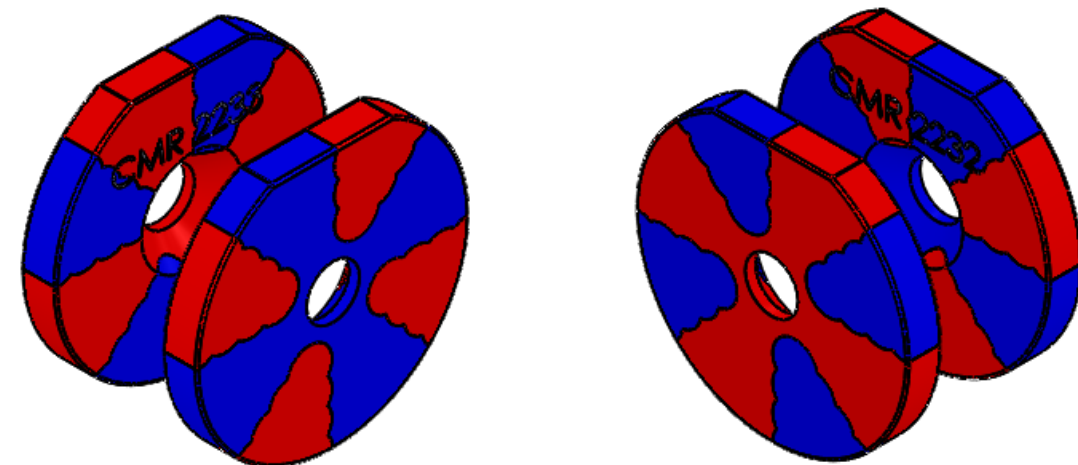
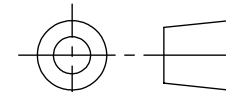


Primary magnet face is marked with a CMR PN.
 Markings must be aligned and facing each other.
 Magnets must be axially constrained for proper performance.



THIRD ANGLE PROJECTION



UNLESS OTHERWISE SPECIFIED
 DIMENSIONS ARE IN INCHES
 ANGLES $\pm 0.1^\circ$
 2 PL ± 0.01 (.25mm)
 3 PL ± 0.005 (.13mm)



| | | |
|------------|---------------|--------------|
| PART NO | | 1002304 |
| SIZE | DWG. NO. | REV |
| B | 1002304-APP | 0 |
| SCALE: 2:1 | RELEASE DATE: | SHEET 1 OF 1 |