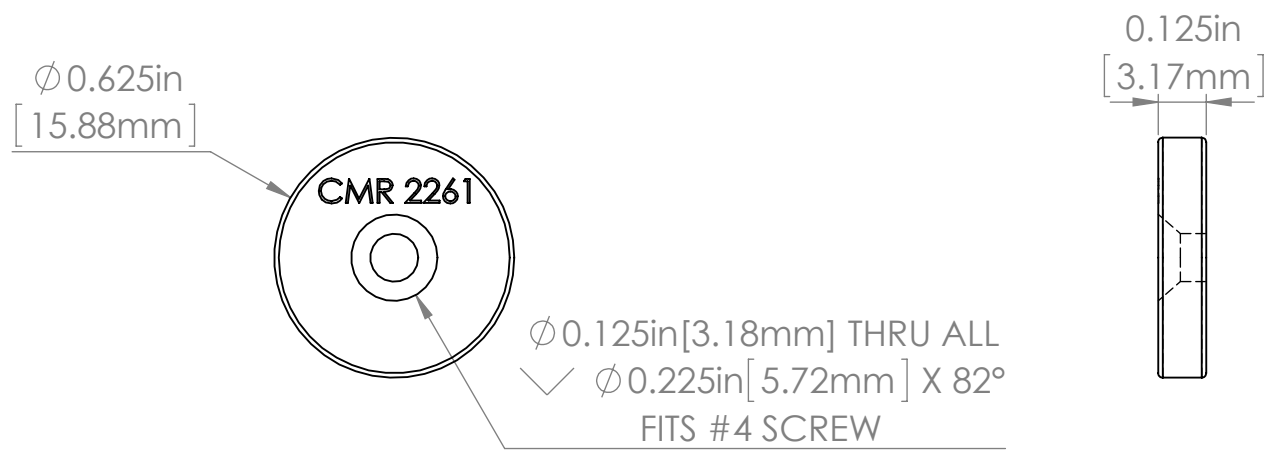
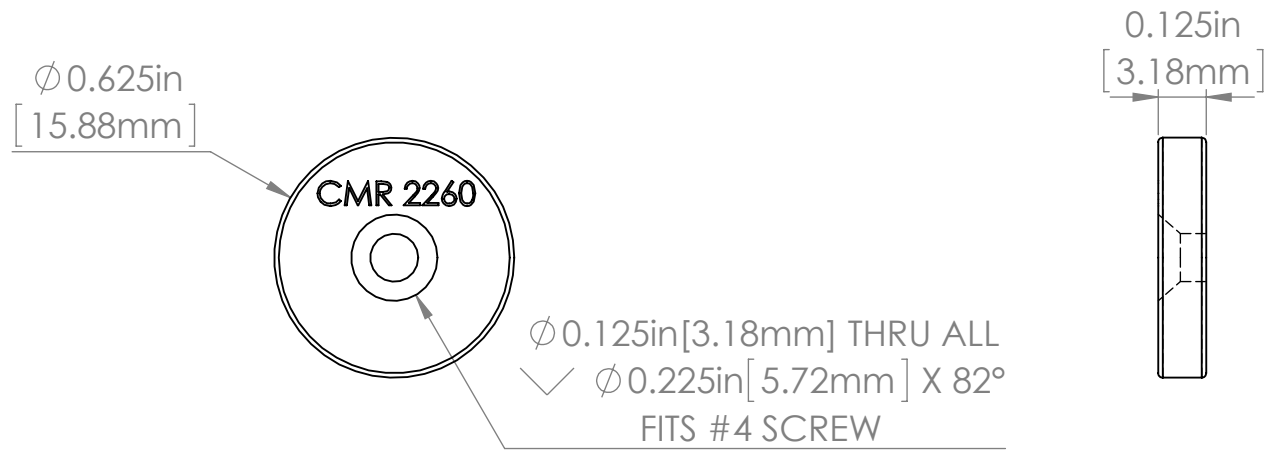
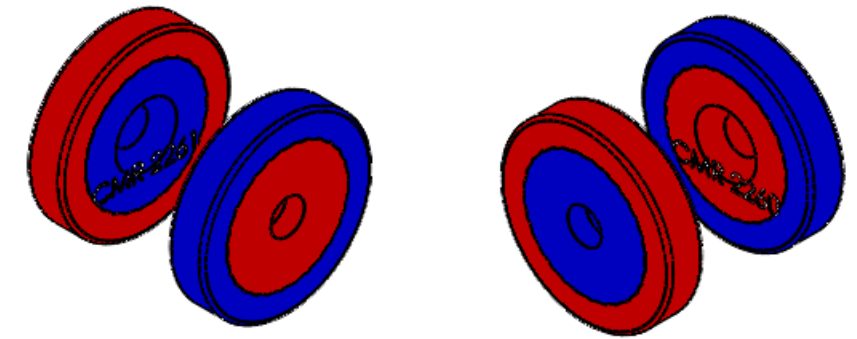


Primary magnet face is marked with a CMR PN.  
 Markings must be aligned and facing each other for proper performance.



THIRD ANGLE PROJECTION

UNLESS OTHERWISE SPECIFIED  
 DIMENSIONS ARE IN INCHES  
 ANGLES  $\pm 0.1^\circ$   
 2 PL  $\pm 0.01$  (.25mm)  
 3 PL  $\pm 0.005$  (.13mm)

**Polymagnet**  
CORRELATED MAGNETICS

PART NO 1002311		REV 0
SIZE <b>B</b>	DWG. NO. 1002311-APP	
SCALE: 2:1	RELEASE DATE:	SHEET 1 OF 1